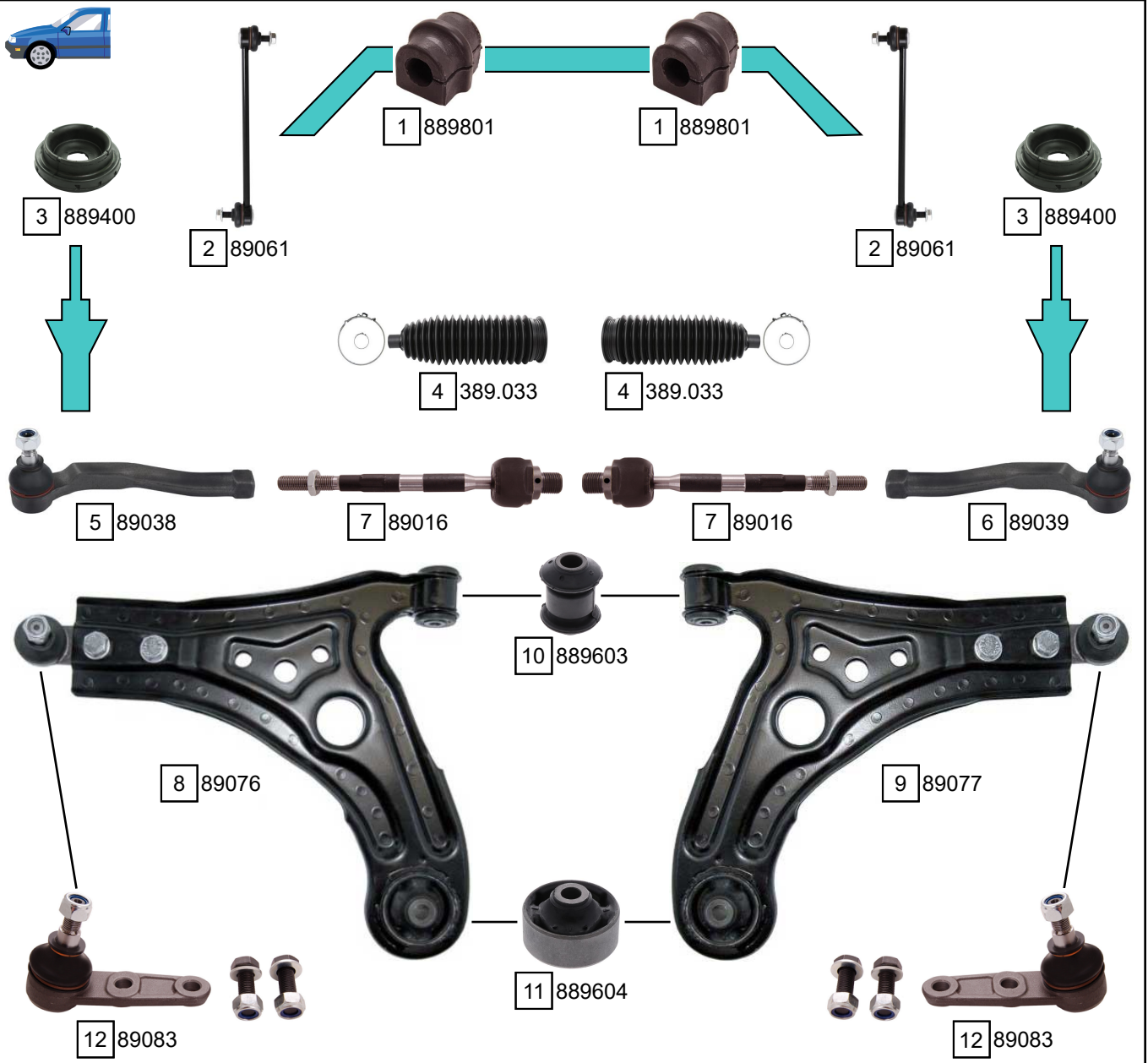


01/2003 - 12/2008
01/2006 ->

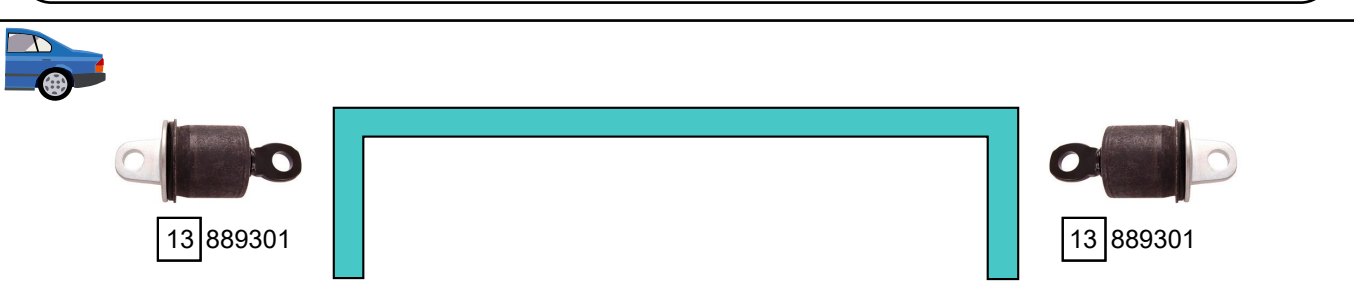
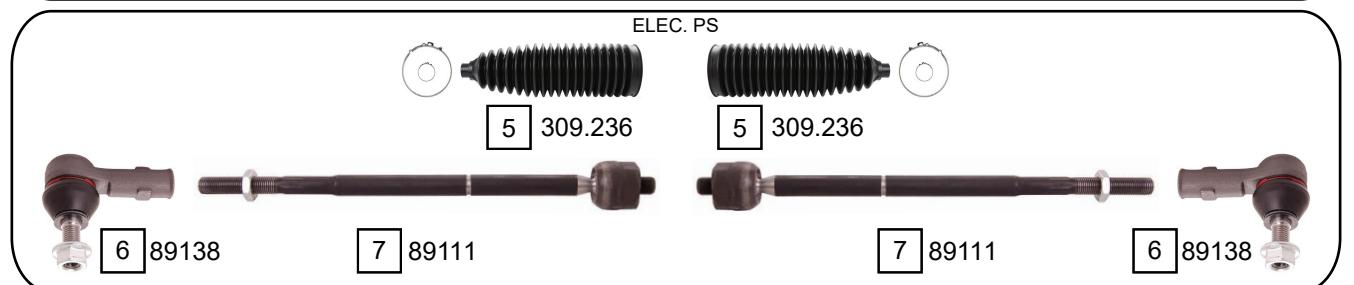
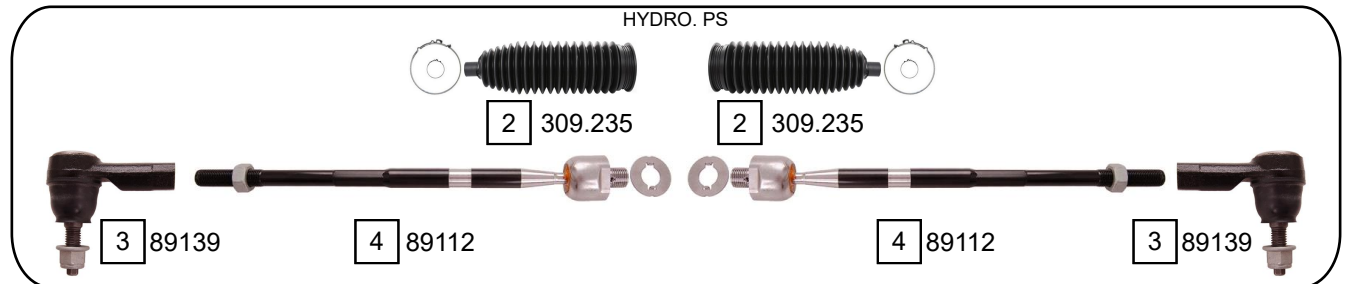
AVEO (T200)
AVEO (T250, T255)



Ref.	Sidem Ref.	Description	OE-number	Measures	Ref.	Sidem Ref.	Description	OE-number	Measures
1	889801	stabiliser mounting	96870461	di:16	8	89076	TCA left wbj	96870465	c:14.8
2	89061	stabiliser link	96391875	L:260	9	89077	TCA right wbj	96870466	c:14.8
3	889400	strut mount	96535011	di:22.7 do:82.3 L:32.2	10	889603	silentblock for TCA	96535087	di:12 do:28 (*)
4	389.033	steering rack gaiter	93742565	D:45 d:11 L:203	11	889604	silentblock for TCA	95479763	di:12 do:60 (*)
5	89038	tie rod end left	93740722	c:13.2 th:FM12X1.5R	12	89083	ball joint	96535089	c:14.8
6	89039	tie rod end right	93740723	c:13.2 th:FM12X1.5R	13	889501	strut mount	96456713	di:10.5 L:40
7	89016	axial joint	Part of	th:MM16X1.5R L:200					

AVEO (T300)

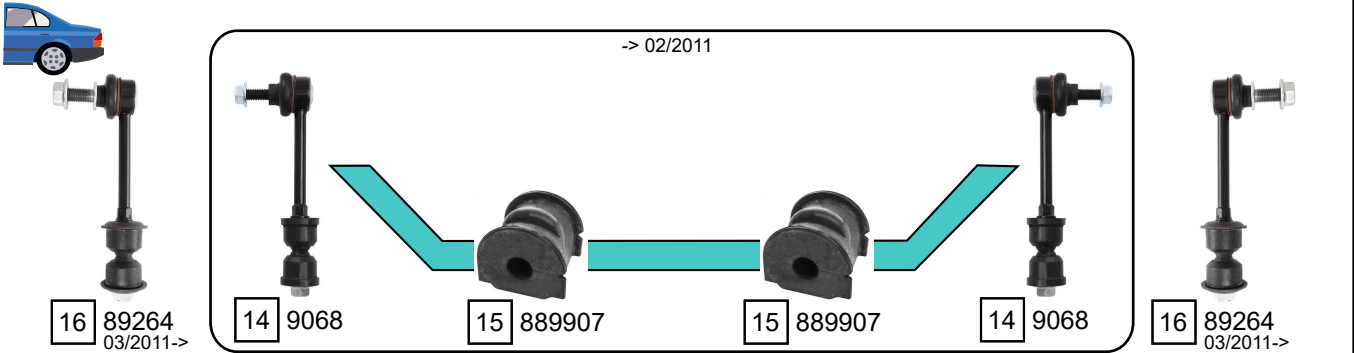
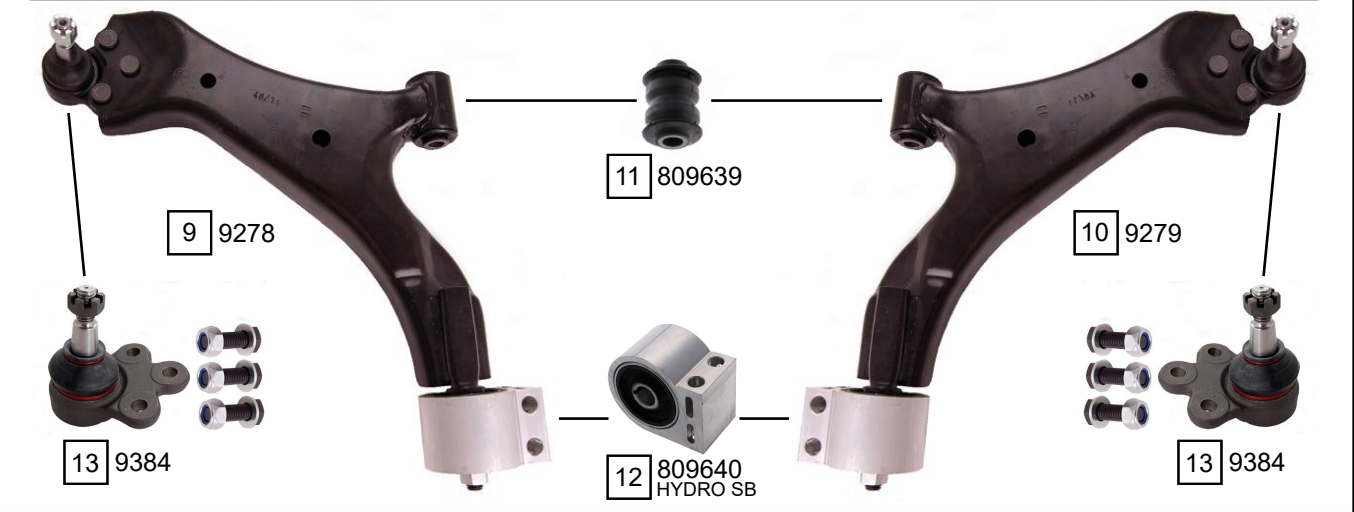
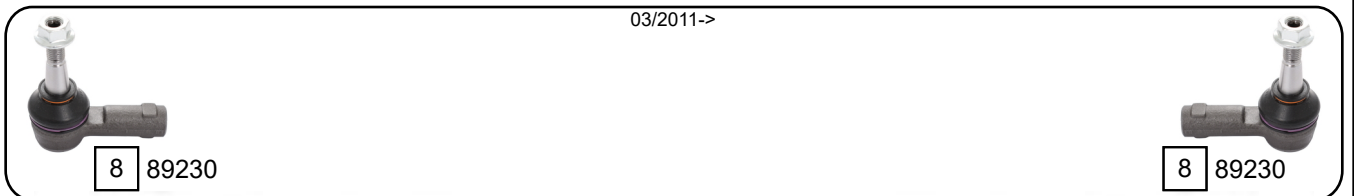
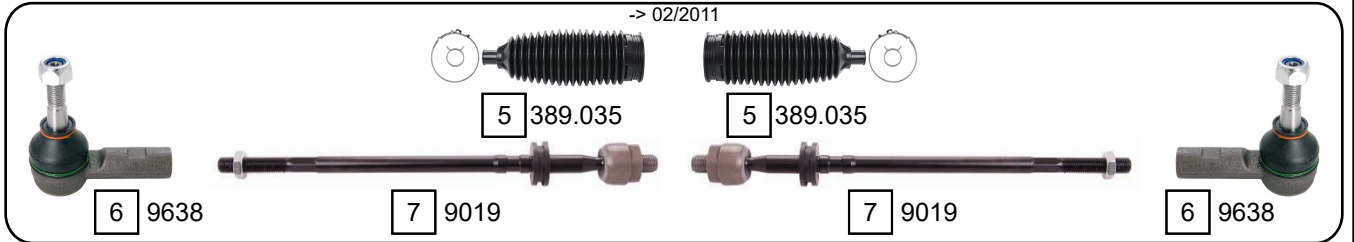
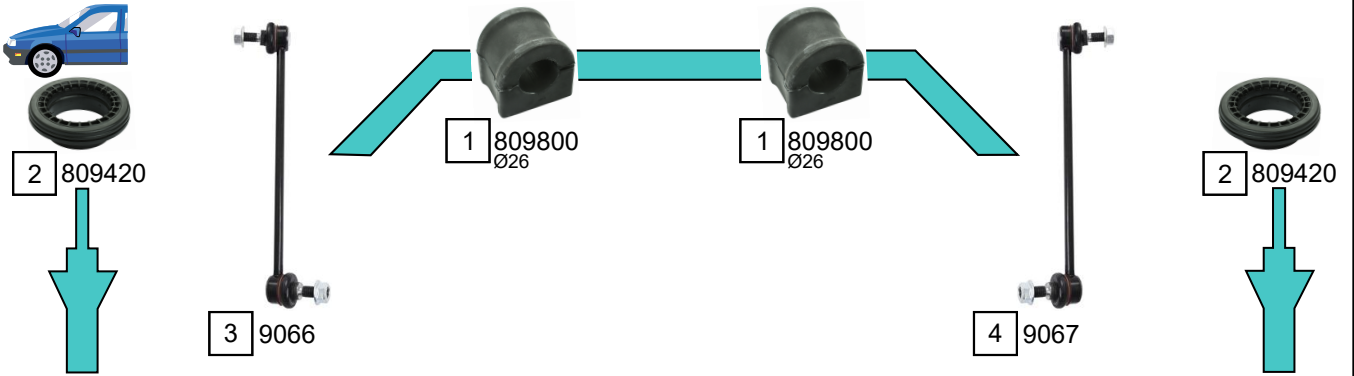
03/2011 ->



Ref.	Sidem Ref.	Description	OE-number	Measures	Ref.	Sidem Ref.	Description	OE-number	Measures
1	89261	stabiliser link	95299172	L:295	8	89278	TCA left wbj	95017035	c:18.2
2	309.235	steering rack gaiter	95218371	D:46.5 d:14 L:185	9	89279	TCA right wbj	95017036	c:18.2
3	89139	tie rod end	95218373	c:13.5 th:FM14X1.5R	10	89182	ball joint	95907943	c:18.1
4	89112	axial joint	95218372	th:MM16X1.5R L:329	11	889615	silentblock for TCA	Part of	di:12.1 do:40.5 (*)
5	309.236	steering rack gaiter	95952928	D:54.5 d:13.5 L:206	12	889616	silentblock for TCA	Part of	di:14.1 do:70.2 (*)
6	89138	tie rod end	95952936	c:13.5 th:FM14X1.5R	13	889301	mounting axle body	95910101	do:67.4
7	89111	axial joint	95952929	th:MM14X1.5R L:334					

CAPTIVA (C100, C140)

06/2006 ->



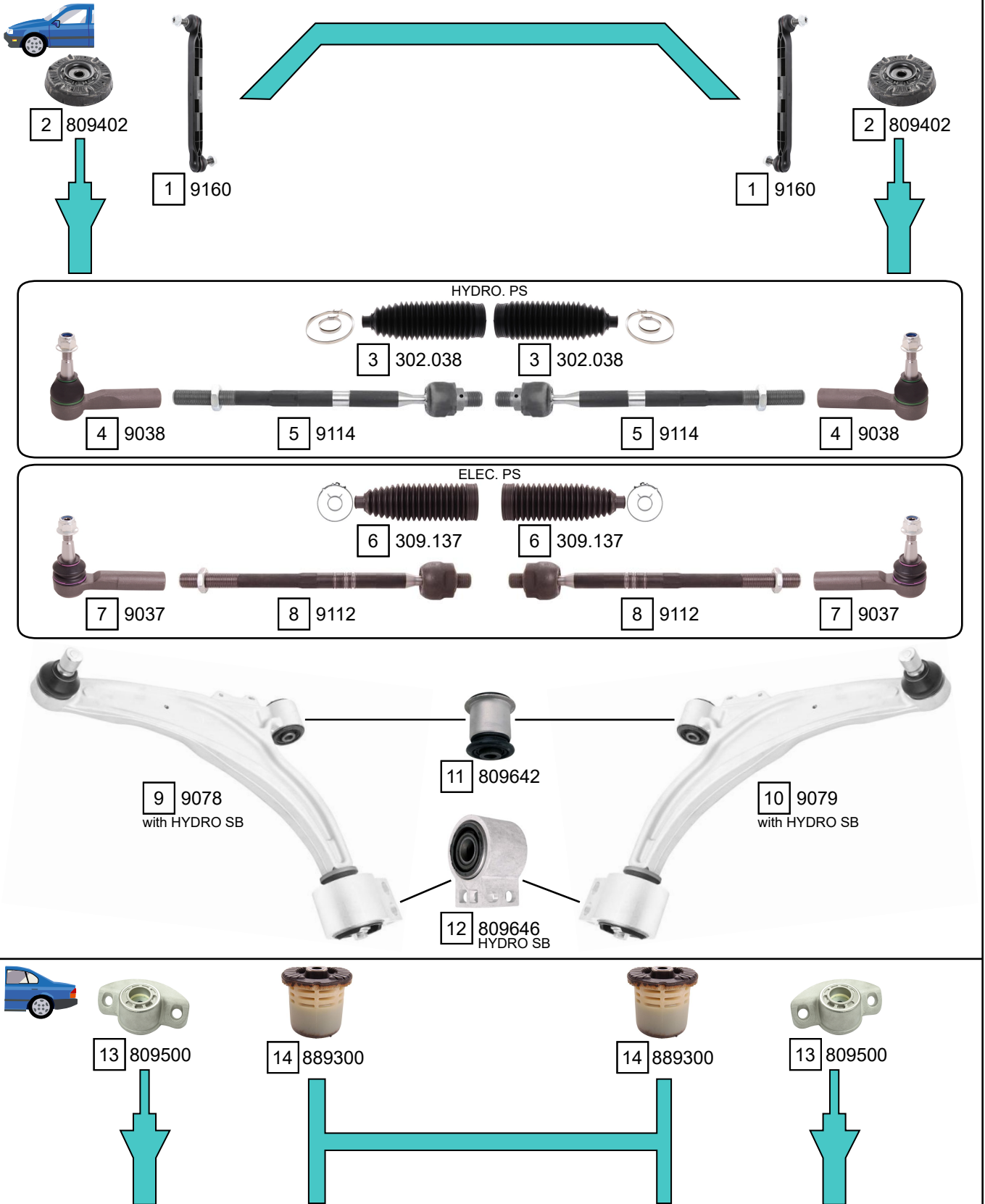
Ref.	Sidem Ref.	Description	OE-number	Measures	Ref.	Sidem Ref.	Description	OE-number	Measures
1	809800	stabiliser mounting	96810751	di:26	9	9278	TCA left wbj	96626235	c:15.2
2	809420	bearing	96626331	di:69 do:114 L:36.5	10	9279	TCA right wbj	96626236	c:15.2
3	9066	stabiliser link left	96626247	L:286	11	809639	silentblock for TCA	Part of	di:14.2 do:38 (*)
4	9067	stabiliser link right	96626248	L:286	12	809640	silentblock for TCA	48 17 869	di:19.4 (*)
5	389.035	steering rack gaiter	93743434	D:53 d:13 L:185	13	9384	ball joint	Part of	c:15.2
6	9638	tie rod end	96626667	c:12.4 th:FM14x1.5R	14	9068	stabiliser link rear axle	48 04 642	L:170
7	9019	axial joint	Part of	th:MM16X1.5R L:360	15	889907	stabiliser mounting	96810752	di:14
8	89230	tie rod end	95940332	c:13.3 th:FM14X1.5R	16	89264	stabiliser link	22737680	L:170

CHEVROLET - DAEWOO

CRUZE

CRUZE (J300)
CRUZE HATCHBACK (J305)
CRUZE STATIONWAGON (J308)

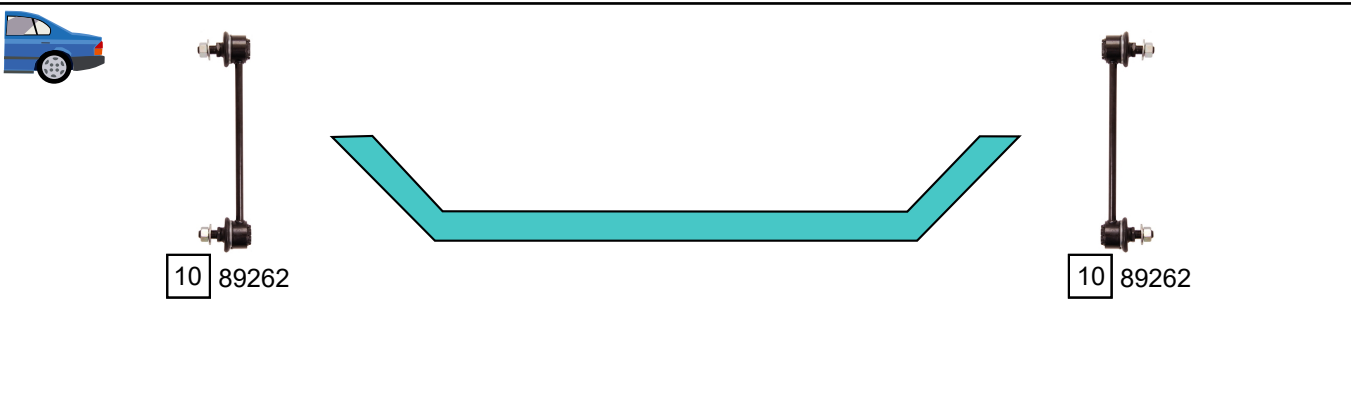
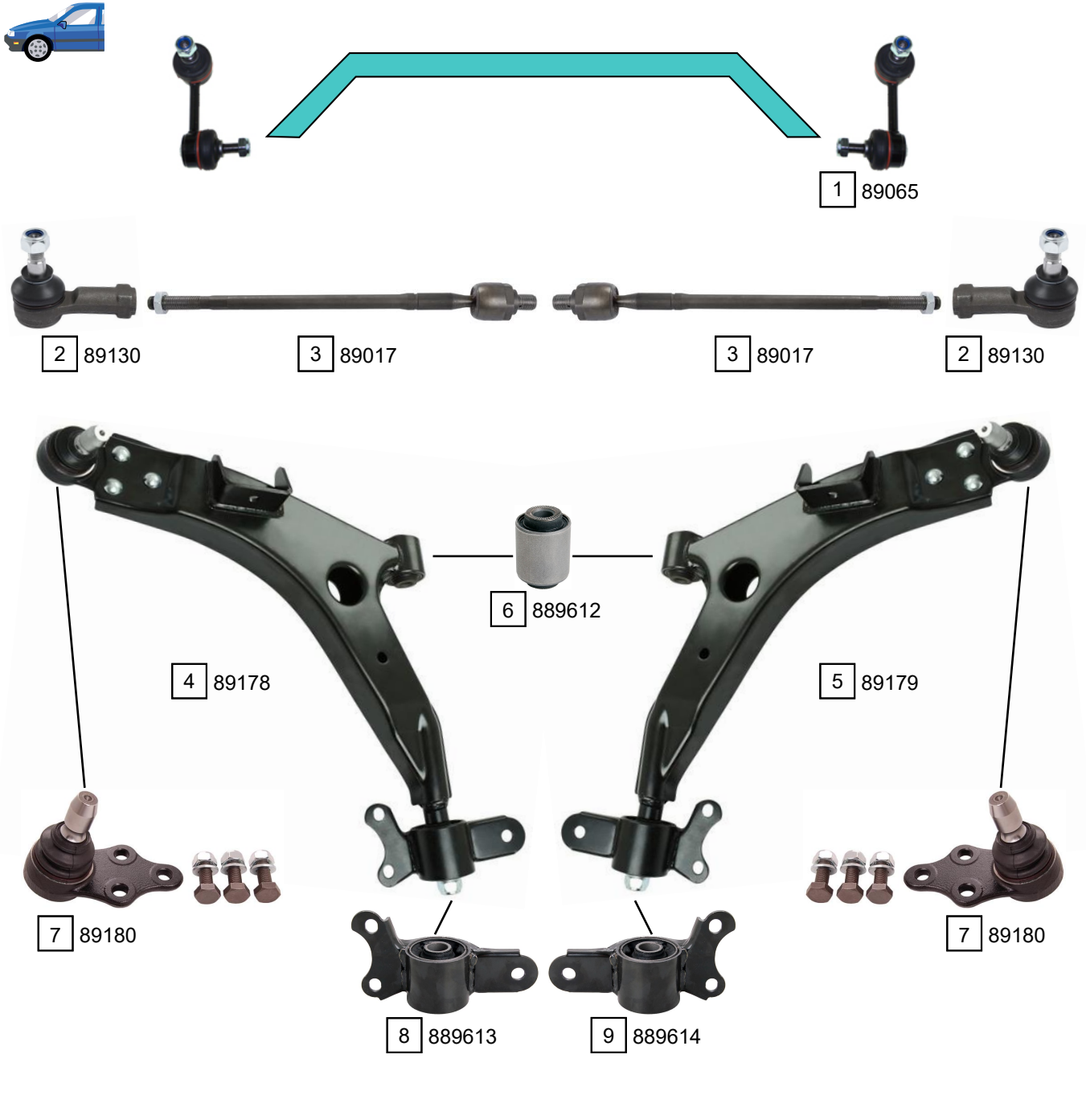
05/2009 ->
06/2011 ->
08/2012 ->



Ref.	Sidem Ref.	Description	OE-number	Measures	Ref.	Sidem Ref.	Description	OE-number	Measures
1	9160	stabiliser link	13219141	L:304	8	9112	axial joint	13286687	th:MM16x1.5R L:291
2	809402	strut mount	13505131	di:14.3 do:113 L:48.5	9	9078	TCA left wbj	13272605	c:20
3	302.038	steering rack gaiter	13278357	D:50 d:15 L:186	10	9079	TCA right wbj	13272606	c:20
4	9038	tie rod end	13278359	c:13.2 th:FM16x1.5R	11	809642	silentblock for TCA	13219090	di:12.4 do:40.4 (*)
5	9114	axial joint	13278358	th:MM16x1.5R L:293	12	809646	silentblock for TCA	13230774	di:22.3 do:65.6 (*)
6	309.137	steering rack gaiter	13354440	D:53.5 d:16 L:194	13	809500	strut mount	13252362	di:10.2 L:48
7	9037	tie rod end	13286686	c:13.2 th:FM16x1.5R	14	889300	mounting axle body	13354691	di:12.1 do:68.6

EPICA (V200)

01/2003 - 12/2006



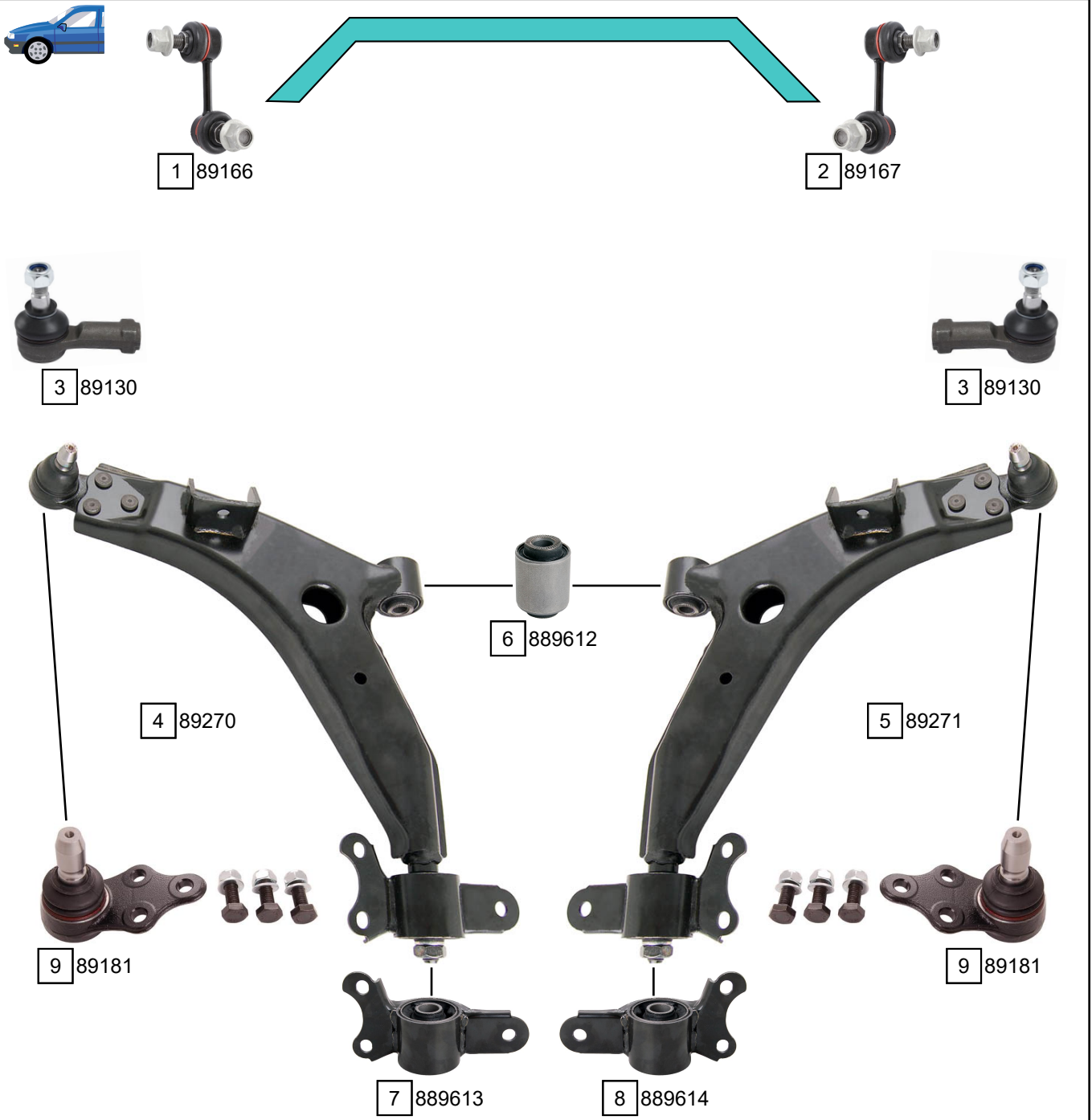
Ref.	Sidem Ref.	Description	OE-number	Measures	Ref.	Sidem Ref.	Description	OE-number	Measures
1	89065	stabiliser link right	96225859	L:79	6	889612	silentblock for TCA	96328434	di:14.3 do:40.4 (*)
2	89130	tie rod end	93740710	c:13.2 th:FM14X1.5R	7	89180	ball joint	96328437	c:18
3	89017	axial joint	93740701	th:MM16X1.5R L:358	8	889613	silentblock for TCA	96970074	di:18.2 do:18.2 (*)
4	89178	TCA left wbj	96389491	c:18	9	889614	silentblock for TCA	96970075	di:18.2 do:18.2 (*)
5	89179	TCA right wbj	96389492	c:18	10	89262	stabiliser link	96440020	L:197

CHEVROLET - DAEWOO

EPICA

EPICA (V250)

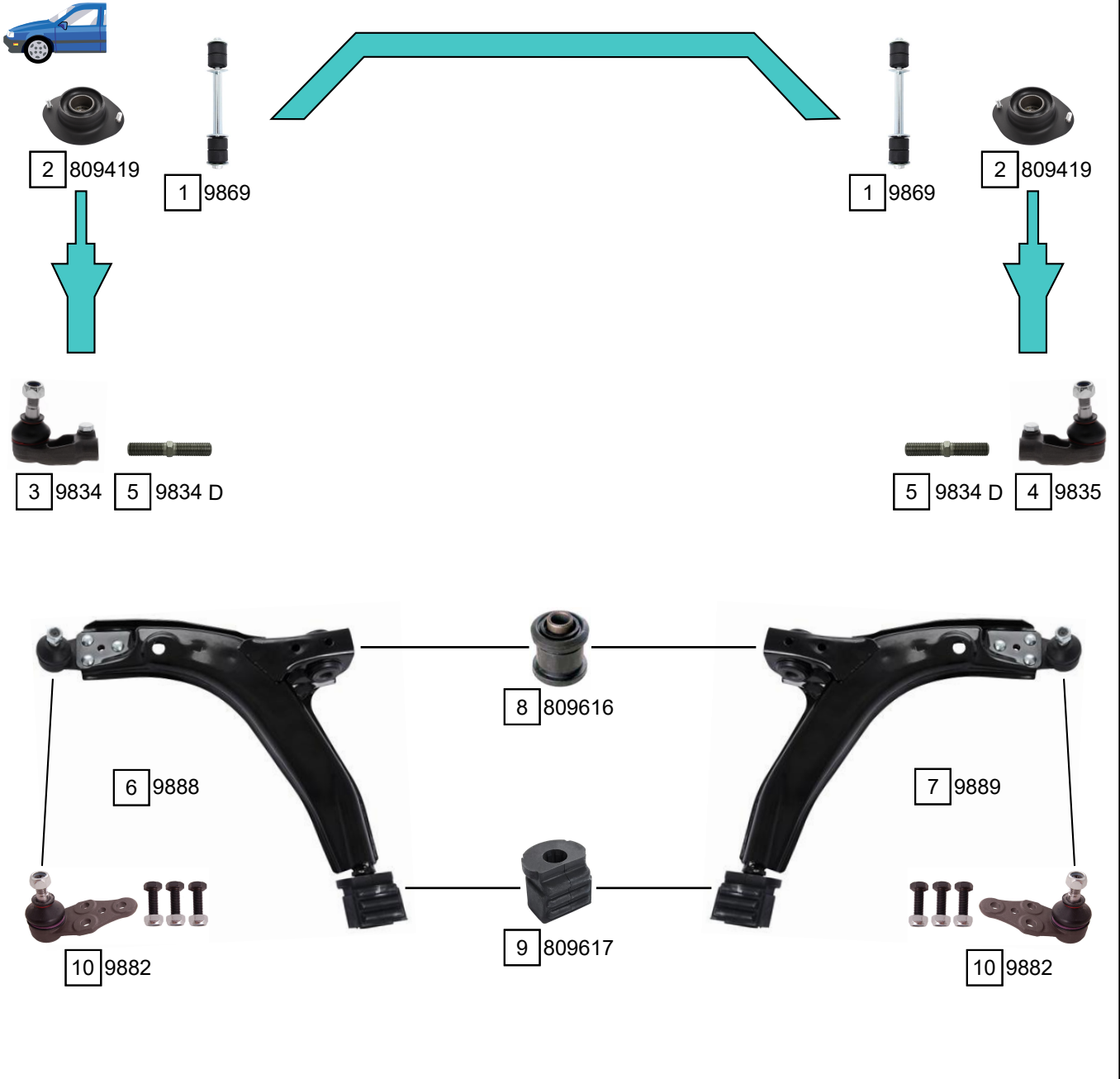
01/2007 - 12/2011



Ref.	Sidem Ref.	Description	OE-number	Measures	Ref.	Sidem Ref.	Description	OE-number	Measures
1	89166	stabiliser link left	96639904	L:80	6	889612	silentblock for TCA	96328434	di:14.3 do:40.4 (*)
2	89167	stabiliser link right	96639905	L:80	7	889613	silentblock for TCA	96970074	di:18.2 do:18.2 (*)
3	89130	tie rod end	93740710	c:13.2 th:FM14X1.5R	8	889614	silentblock for TCA	96970075	di:18.2 do:18.2 (*)
4	89270	TCA left wbj	96970076	c:18	9	89181	ball joint	96639918	c:18
5	89271	TCA right wbj	96970077	c:18	10	89263	stabiliser link	96639910	L:197

ESPERO (KLEJ)
ARANOS

10/1991 - 09/1999
01/1995 - 11/1997



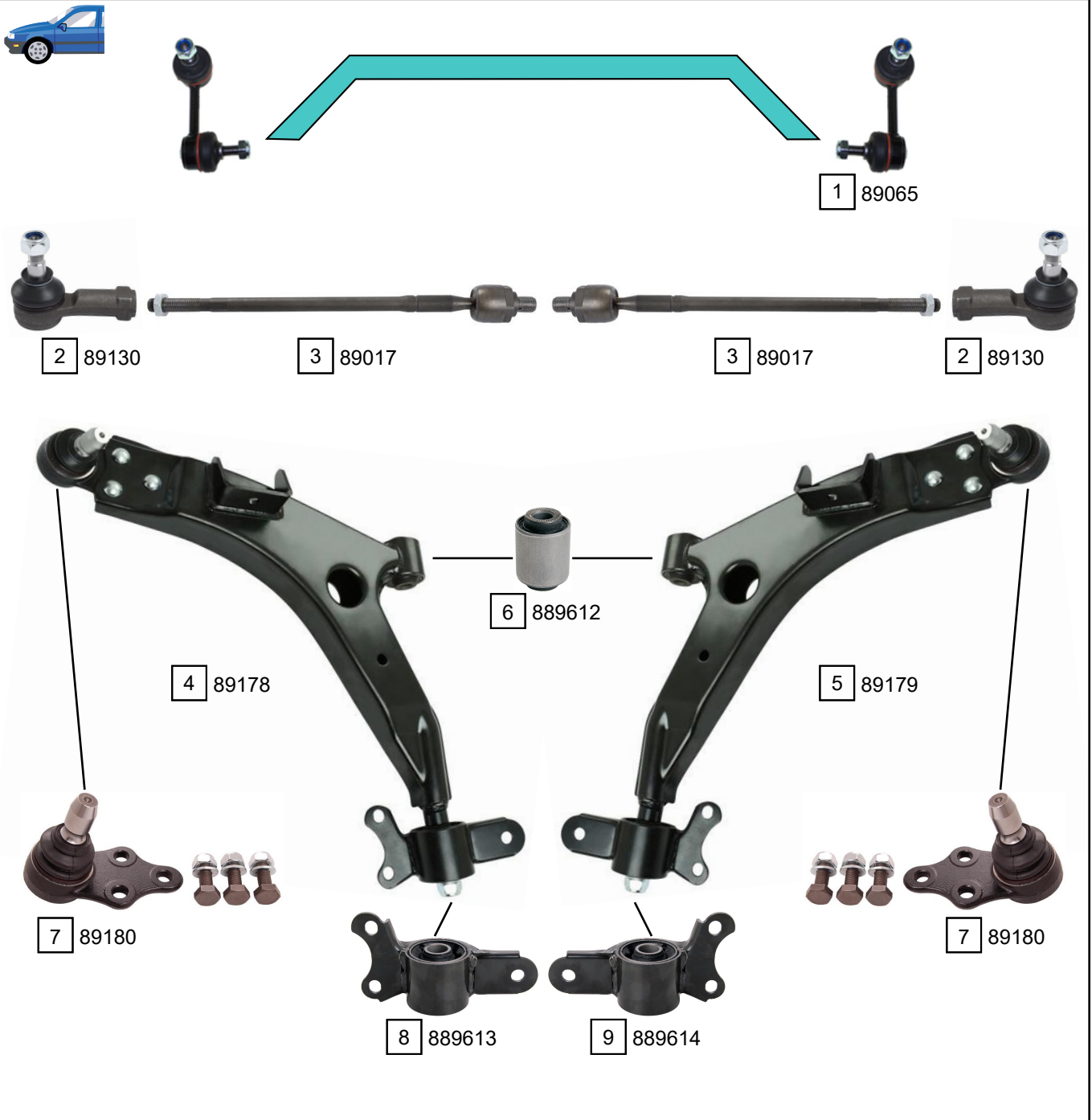
Ref.	Sidem Ref.	Description	OE-number	Measures	Ref.	Sidem Ref.	Description	OE-number	Measures
1	9869	stabiliser link	96129839	L:190	7	9889	TCA right wbj	96218398	c:13.4
2	809419	strut mount	90184755	di:14.2 L:48	8	809616	silentblock for TCA	90193117	di:14.3 do:39.6 (*)
3	9834	tie rod end left	26001807	c:13 th:FM16X1.5R	9	809617	silentblock for TCA	90334546	di:18.9 do:55.4 (*)
4	9835	tie rod end right	26001806	c:13 th:FM16x1.5L	10	9882	ball joint lower	94788122	c:13.4
5	9834 D	adjusting bolt	7846696	L:96	11	809701	mounting axle body	402645	di:12.2 do:59.1
6	9888	TCA left wbj	96218397	c:13.4					

CHEVROLET - DAEWOO

EVANDA

EVANDA (V200)

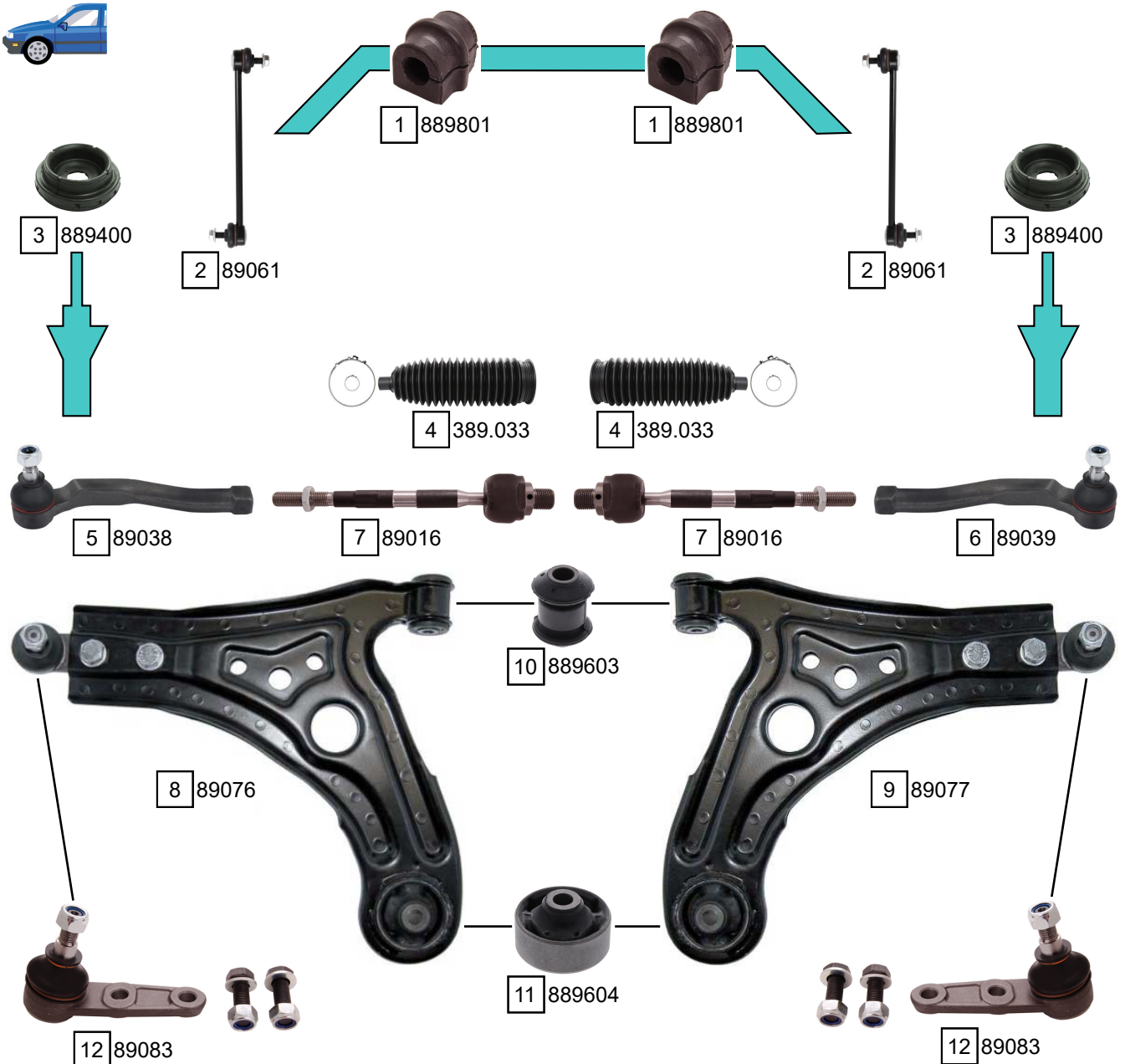
01/2003 - 12/2006



Ref.	Sidem Ref.	Description	OE-number	Measures	Ref.	Sidem Ref.	Description	OE-number	Measures
1	89065	stabiliser link right	96225859	L:79	6	889612	silentblock for TCA	96328434	di:14.3 do:40.4 (*)
2	89130	tie rod end	93740710	c:13.2 th:FM14X1.5R	7	89180	ball joint	96328437	c:18
3	89017	axial joint	93740701	th:MM16X1.5R L:358	8	889613	silentblock for TCA	96970074	di:18.2 do:18.2 (*)
4	89178	TCA left wbj	96389491	c:18	9	889614	silentblock for TCA	96970075	di:18.2 do:18.2 (*)
5	89179	TCA right wbj	96389492	c:18	10	89262	stabiliser link	96440020	L:197

KALOS (T200)

01/2003 - 12/2008



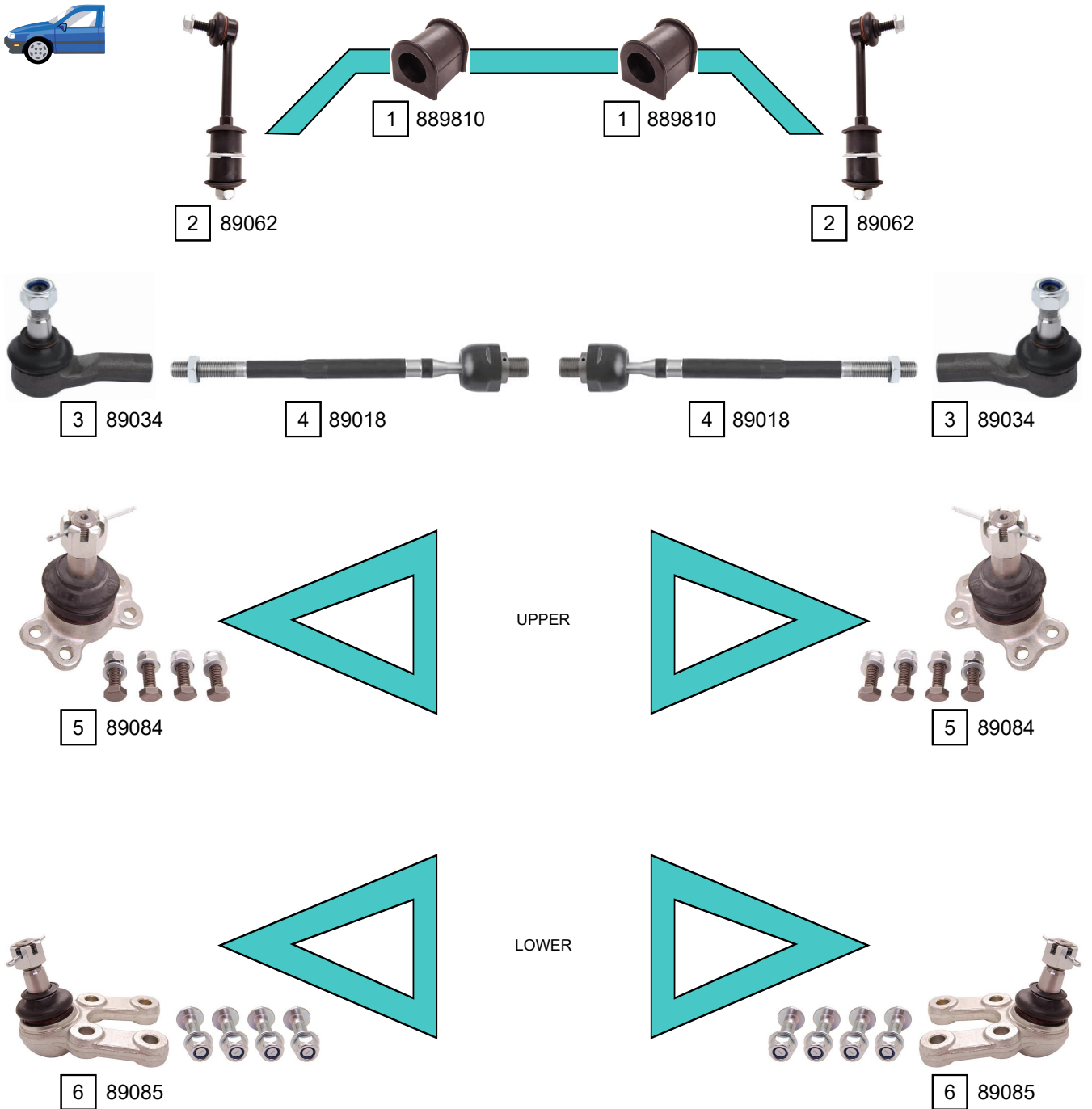
Ref.	Sidem Ref.	Description	OE-number	Measures	Ref.	Sidem Ref.	Description	OE-number	Measures
1	889801	stabiliser mounting	96870461	di:16	8	89076	TCA left wbj	96870465	c:14.8
2	89061	stabiliser link	96391875	L:260	9	89077	TCA right wbj	96870466	c:14.8
3	889400	strut mount	96535011	di:22.7 do:82.3 L:32.2	10	889603	silentblock for TCA	96535087	di:12 do:28 (*)
4	389.033	steering rack gaiter	93742565	D:45 d:11 L:203	11	889604	silentblock for TCA	95479763	di:12 do:60 (*)
5	89038	tie rod end left	93740722	c:13.2 th:FM12X1.5R	12	89083	ball joint	96535089	c:14.8
6	89039	tie rod end right	93740723	c:13.2 th:FM12X1.5R	13	889501	strut mount	96456713	di:10.5 L:40
7	89016	axial joint	Part of	th:MM16X1.5R L:200					

CHEVROLET - DAEWOO

KORANDO

KORANDO (KJ)

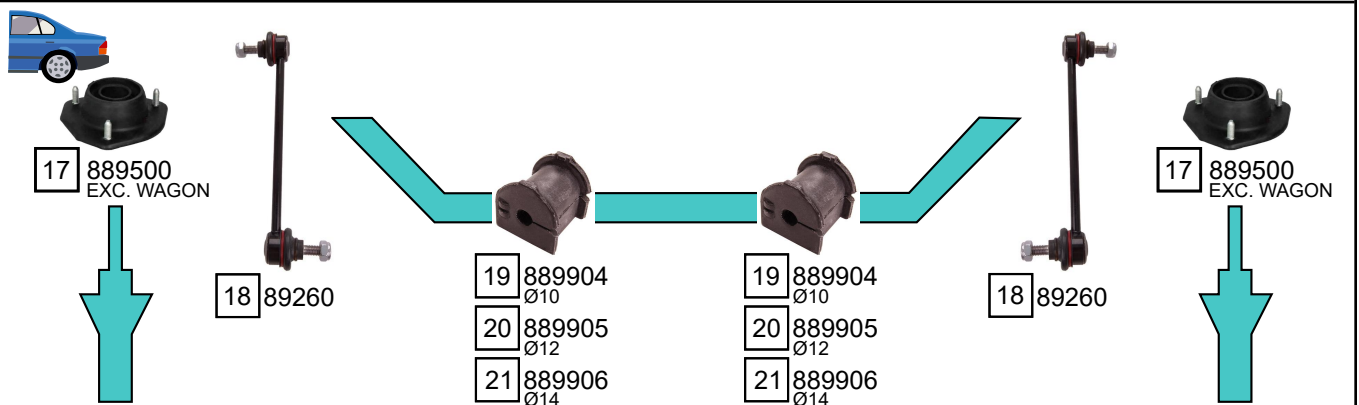
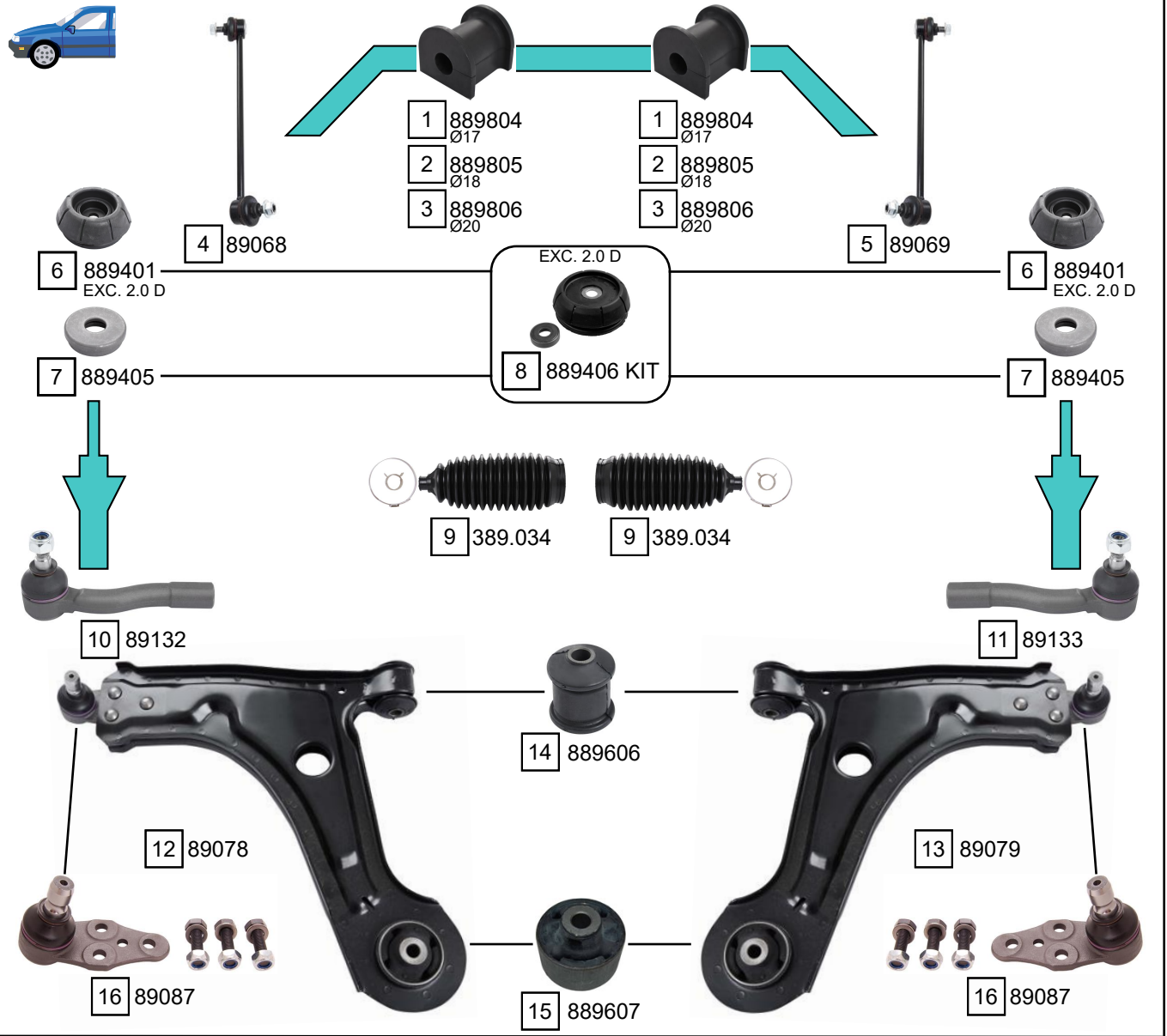
01/1999 ->



Ref.	Sidem Ref.	Description	OE-number	Measures	Ref.	Sidem Ref.	Description	OE-number	Measures
1	889810	stabiliser mounting	6313230385	di:30	4	89018	axial joint	Part of	th:MM17X1R L:274
2	89062	stabiliser link	4475005001	L:173	5	89084	ball joint	4443003011	c:17.6
3	89034	tie rod end	4666005502	c:16 th:FM14x1.5R	6	89085	ball joint	4450505001	c:17.6

LACETTI (J200)

02/2004 ->



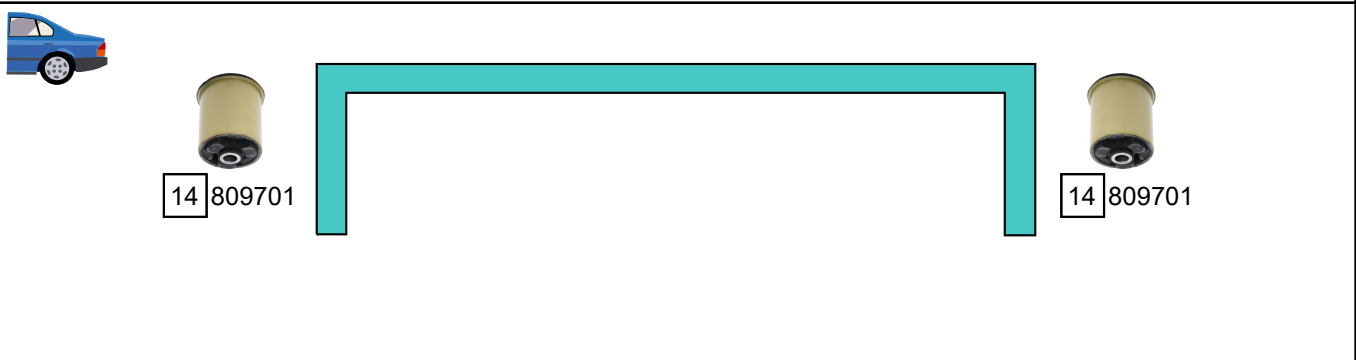
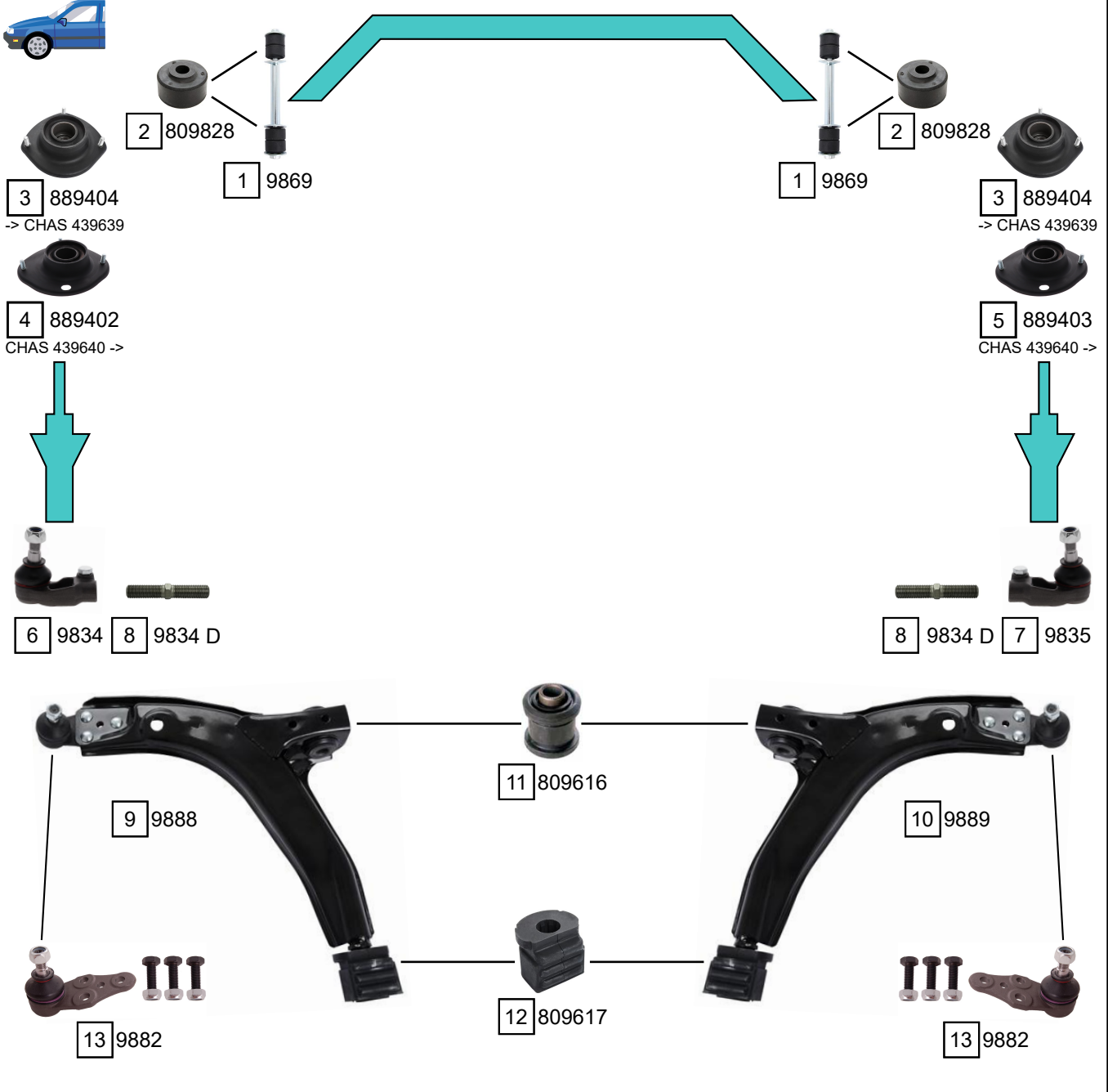
Ref.	Sidem Ref.	description	OE-number	measures	Ref.	Sidem Ref.	description	OE-number	measures
1	889804	stabiliser mounting	96839848	di:17	12	89078	TCA left wbj	05486006	c:18.2
2	889805	stabiliser mounting	96839849	di:18	13	89079	TCA right wbj	96391851	c:18.2
3	889806	stabiliser mounting	96839850	di:20	14	889606	silentblock for TCA	96378346	di:12.3 do:38 (*)
4	89068	stabiliser link	96403099	L:271	15	889607	silentblock for TCA	96391856	di:12.2 do:60 (*)
5	89069	stabiliser link	96403100	L:271	16	89087	ball joint	96490218	c:18
6	889401	strut mount	96549921	di:15 do:102.5 L:44	17	889500	strut mount	96457360	di:14.5 L:47.5
7	889405	bearing	94535236	di:14.7 do:44.6 L:11.7	18	89260	stabiliser link rear axle	96561754	L:216
8	889406 KIT	strut mount kit	96549921 S1	di:14.7 do:113.4 L:45.5	19	889904	stabiliser mounting	96933805	di:10
9	389.034	steering rack gater	93742552	D:48 di:13 L:173	20	889905	stabiliser mounting	96933806	di:11.5
10	89132	tie rod end left	96407485	c:13.3 th:FM14X1.5R	21	889906	stabiliser mounting	96933804	di:13.5
11	89133	tie rod end right	96407486	c:13.3 th:FM14X1.5R					

CHEVROLET - DAEWOO

LANOS

LANOS (KLAT)
LANOS SALOON (KLAT)

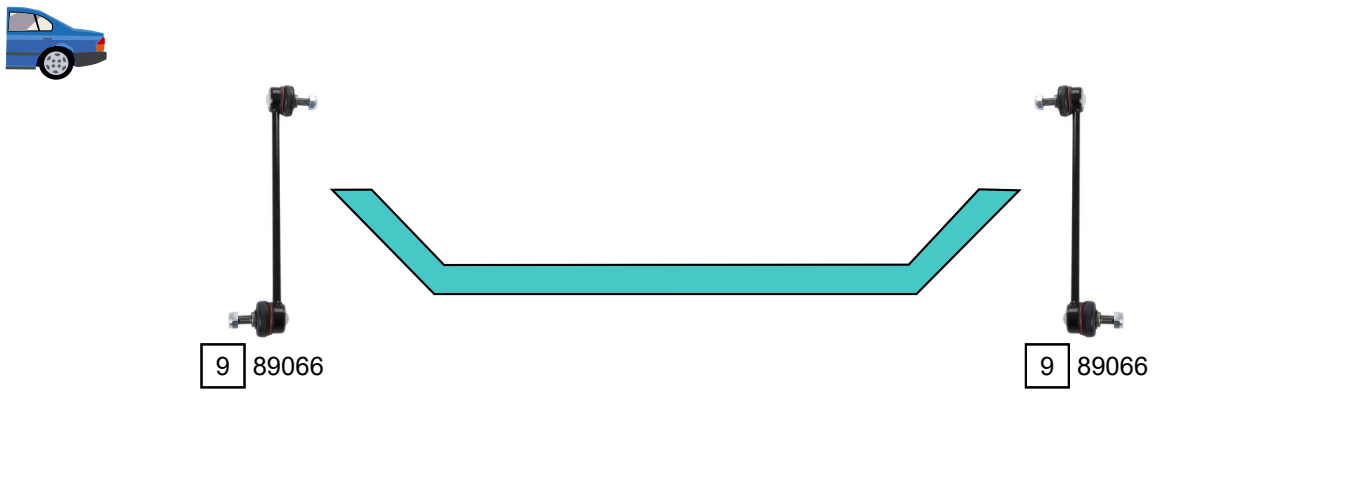
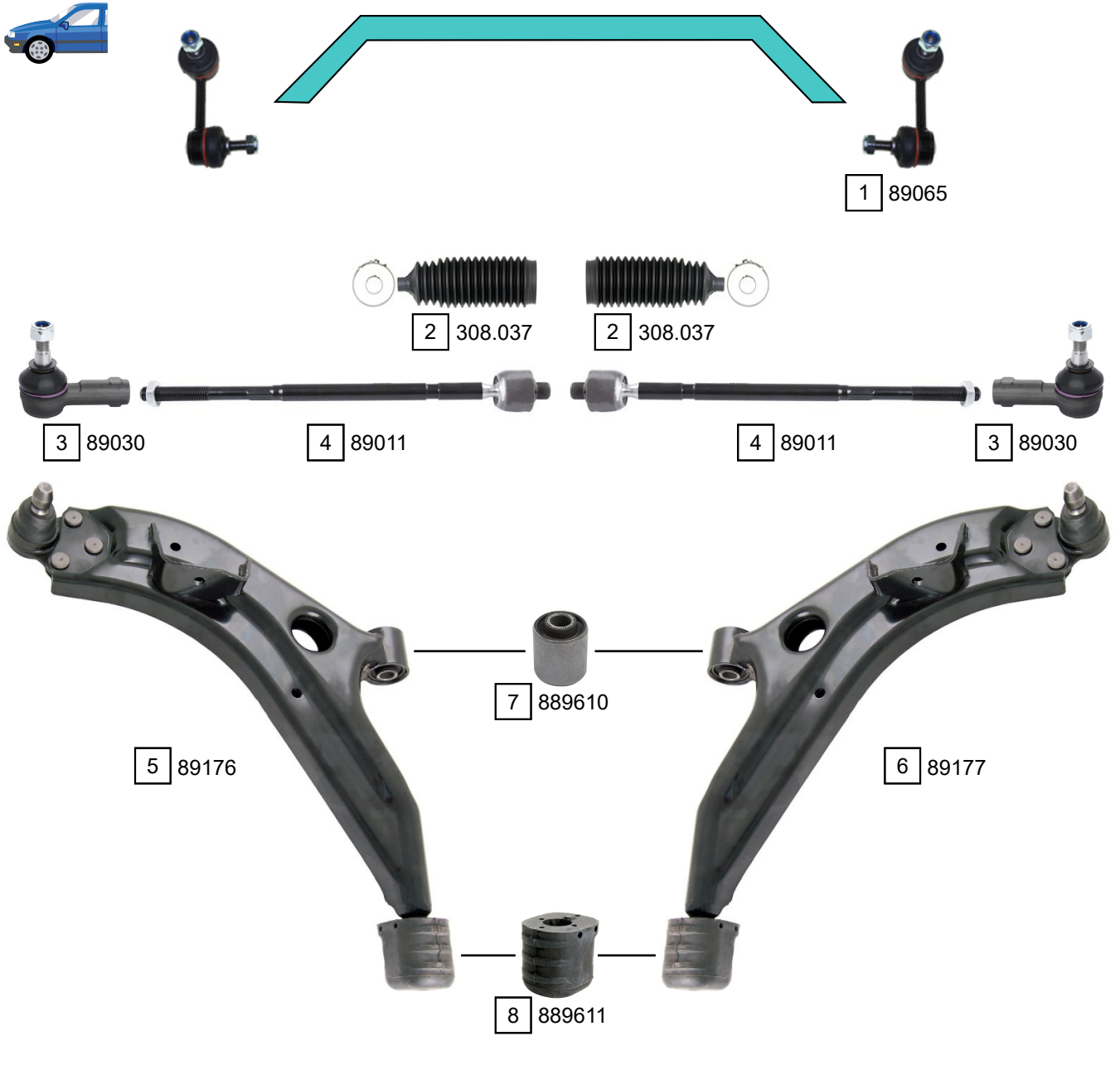
05/1997 ->



Ref.	Sidem Ref.	Description	OE-number	Measures	Ref.	Sidem Ref.	Description	OE-number	Measures
1	9869	stabiliser link	96129839	L:190	8	9834 D	adjusting bolt	7846696	L:96
2	809828	stabiliser mounting	2875013	di:8.5	9	9888	TCA left wbj	96218397	c:13.4
3	889404	strut mount	96225638	di:14 L:47	10	9889	TCA right wbj	96218398	c:13.4
4	889402	strut mount	96444919	di:14 L:46.5	11	809616	silentblock for TCA	90193117	di:14.3 do:39.6 (*)
5	889403	strut mount	96444920	di:14 L:46.5	12	809617	silentblock for TCA	90334546	di:18.9 do:55.4 (*)
6	9834	tie rod end left	26001807	c:13 th:FM16X1.5R	13	9882	ball joint lower	94788122	c:13.4
7	9835	tie rod end right	26001806	c:13 th:FM16x1.5L	14	809701	mounting axle body	402645	di:12.2 do:59.1

LEGANZA (KLAV)

06/1997 - 12/2002



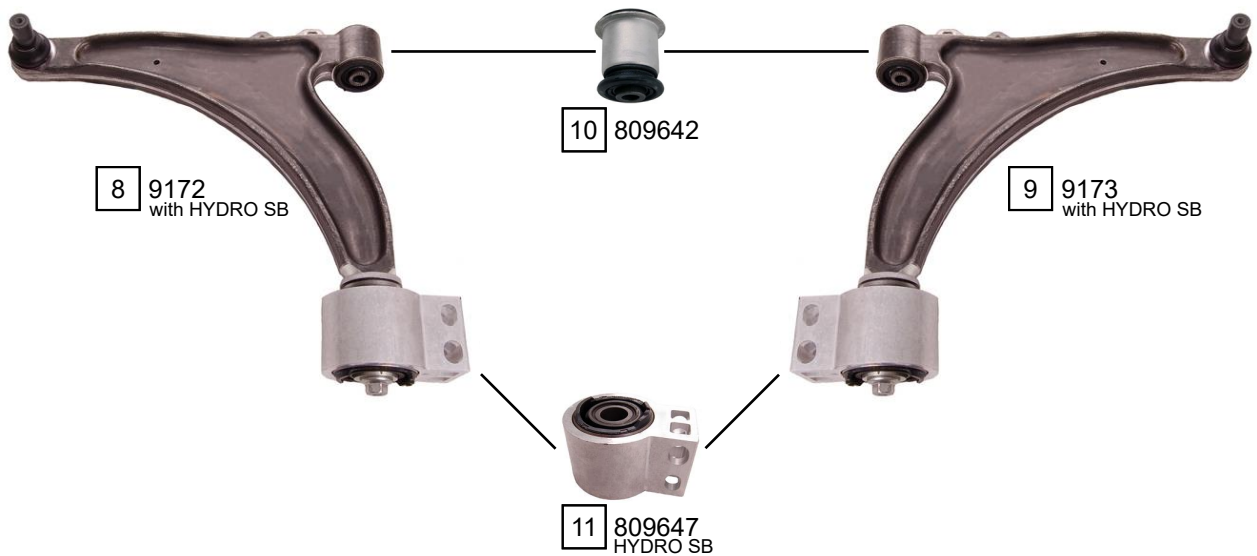
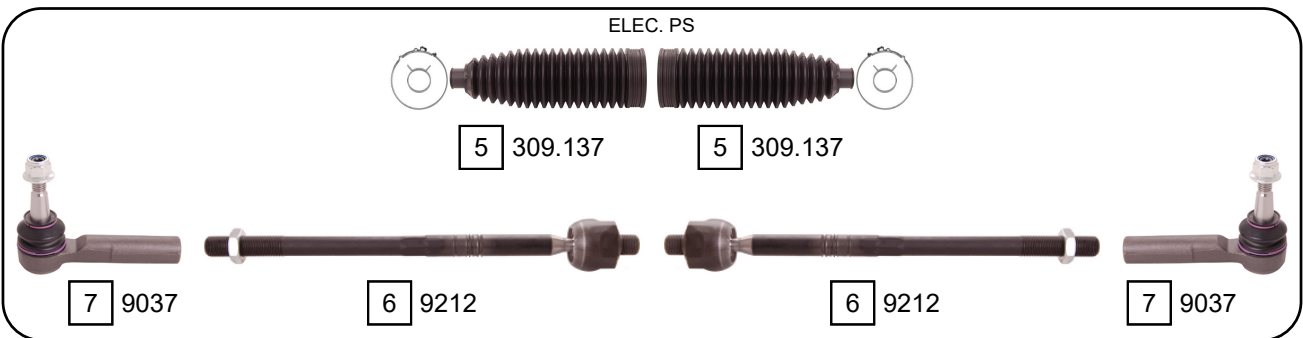
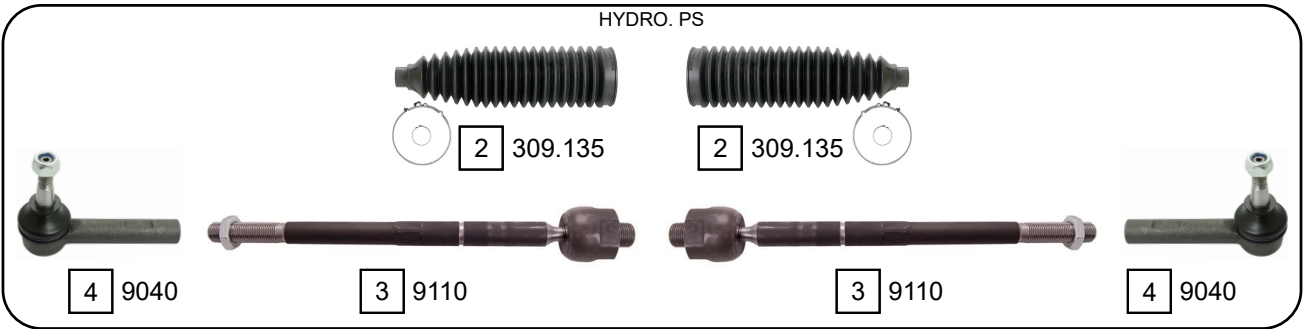
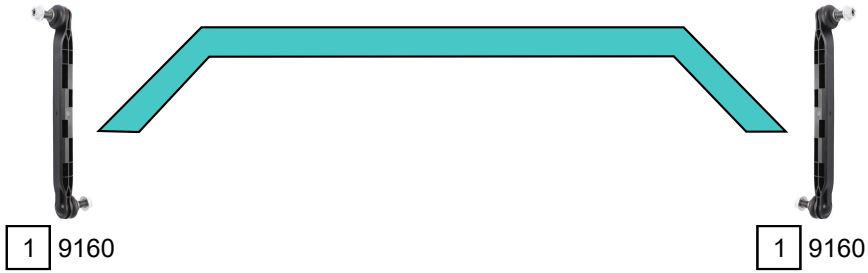
Ref.	Sidem Ref.	Description	OE-number	Measures	Ref.	Sidem Ref.	Description	OE-number	Measures
1	89065	stabiliser link right	96225859	L:79	6	89177	TCA right wbj	96213118	c:18
2	308.037	steering rack gaiter	520738	D:49 d:13 L:166	7	889610	silentblock for TCA	96213130	di:14.1 do:37.4 (*)
3	89030	tie rod end	96205809	c:13.2 th:FM14x1.5R	8	889611	silentblock for TCA	96213131	di:19.5 (*)
4	89011	axial joint	520898	th:MM16X1.5R L:360	9	89066	stabiliser link rear axle	96207628	L:267
5	89176	TCA left wbj	96213117	c:18					

CHEVROLET - DAEWOO

MALIBU

MALIBU (V300)

01/2012 ->



Ref.	Sidem Ref.	Description	OE-number	Measures	Ref.	Sidem Ref.	Description	OE-number	Measures
1	9160	stabiliser link	13219141	L:304	7	9037	tie rod end	13286686	c:13.2 th:FM16x1.5R
2	309.135	steering rack gaiter	13271036	D:52 d:15.5 L:212	8	9172	TCA left wbj	22792990	c:20
3	9110	axial joint	13271996	th:MM18x1.5R L:307.5	9	9173	TCA right wbj	22792991	c:20
4	9040	tie rod end	13272000	c:13.1 th:FM16x1.5R	10	809642	silentblock for TCA	13219090	di:12.4 do:40.4 (*)
5	309.137	steering rack gaiter	13354440	D:53.5 d:16 L:194	11	809647	silentblock for TCA	22792989	di:22.3 (*)
6	9212	axial joint	13332651	th:MM16X1.5R L:315					

MALIBU (V300)

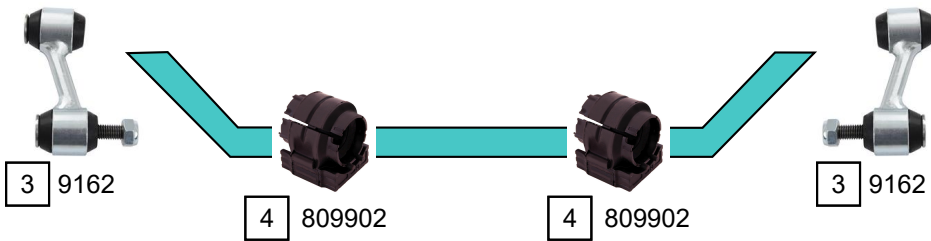
01/2012 ->



1 809502



2 809503



Ref.	Sidem Ref.	Description	OE-number	Measures	Ref.	Sidem Ref.	Description	OE-number	Measures
1	809502	strut mount	22834079	di:10.5 L:47.5	3	9162	stabiliser link rear axle	13281792	L:71
2	809503	strut mount	22834080	di:10.2	4	809902	stabiliser mounting	13281790	di:18

CHEVROLET - DAEWOO

MATIZ

MATIZ (M100, M150)
MATIZ (M200)

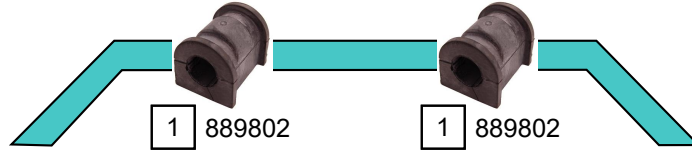
09/1998 - 02/2005
03/2005 ->



2 889407
M100 - M150

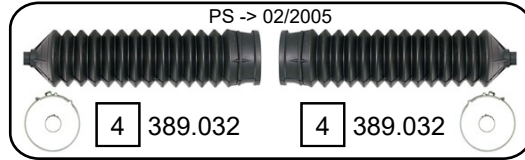


3 889400
M200



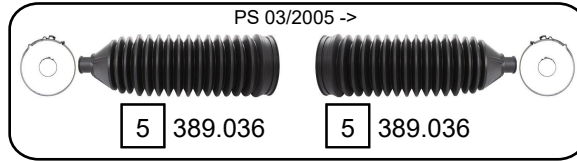
1 889802

1 889802



4 389.032

4 389.032



5 389.036

5 389.036



2 889407
M100 - M150



3 889400
M200



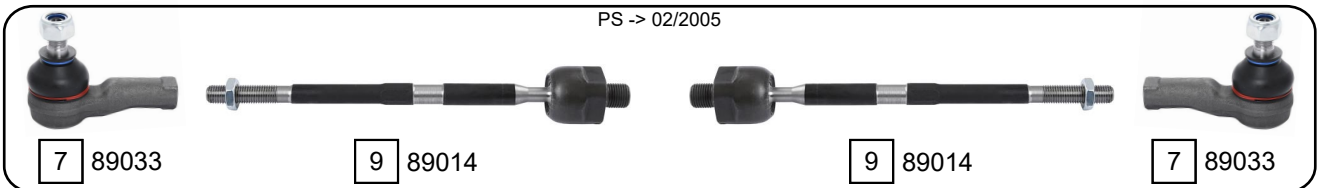
MS -> 02/2005

6 89032

8 89012

8 89012

6 89032



PS -> 02/2005

7 89033

9 89014

9 89014

7 89033



PS 03/2005 ->

6 89032

8 89012

8 89012

6 89032



11 877619

10 89070



12 877608



11 877619

10 89070



13 889302
03/2005 ->

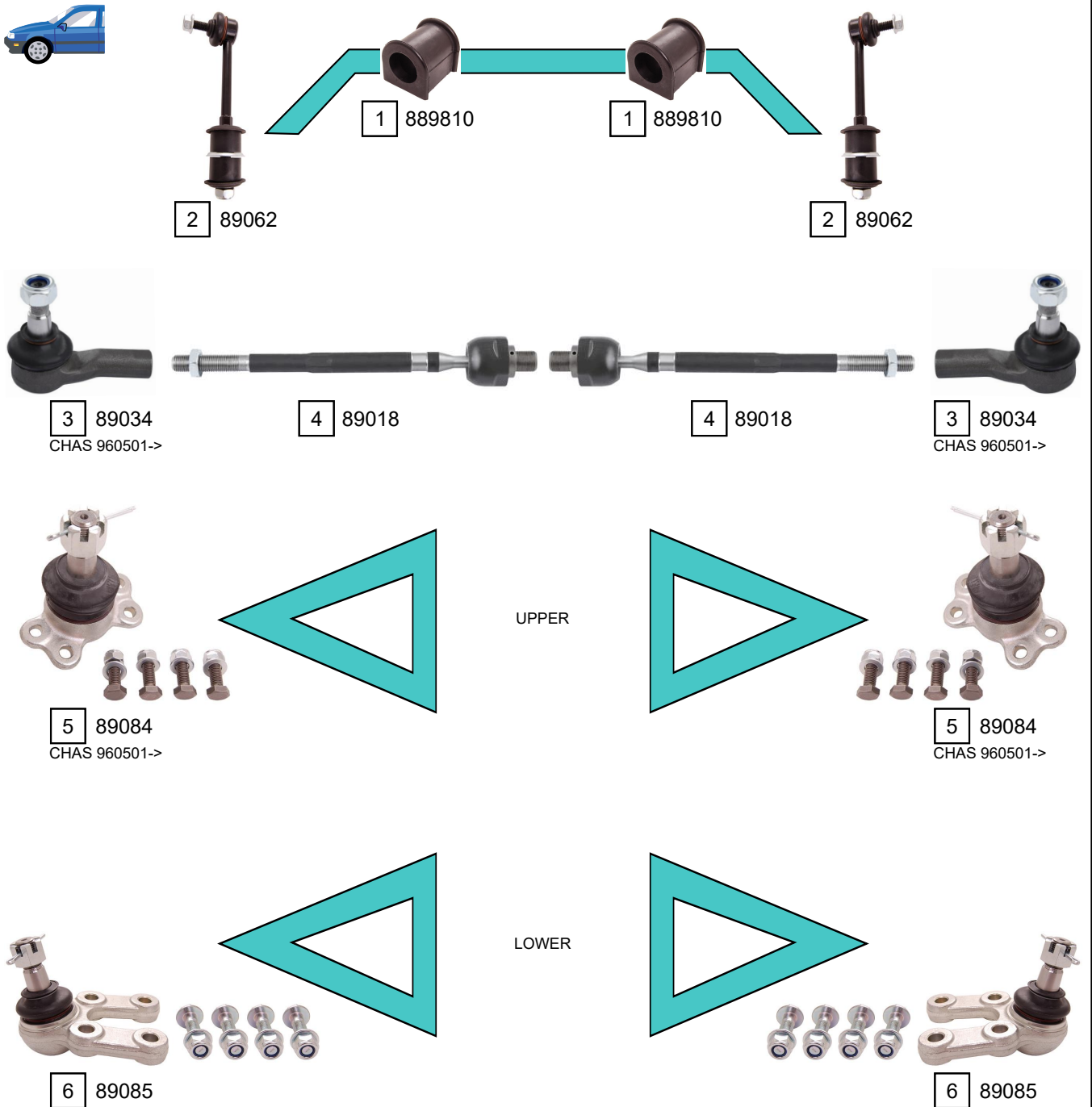


13 889302
03/2005 ->

Ref.	Sidem Ref.	Description	OE-number	Measures	Ref.	Sidem Ref.	Description	OE-number	Measures
1	889802	stabiliser mounting	96322618	di:22	8	89012	axial joint	93741074	th:MM16X1.5R L:250
2	889407	strut mount	96568585	di:22.2 L:39	9	89014	axial joint	93741092	th:MM16X1.5R L:251
3	889400	strut mount	96535011	di:22.7 do:82.3 L:32.2	10	89070	TCA wbj	96316765	c:15
4	389.032	steering rack gaiter	KRSL18	D:45 d:12 L:212	11	877619	silentblock for TCA	96380586	di:16 do:35.9 (*)
5	389.036	steering rack gaiter	93743483	D:49 d:11.5 L:179	12	877608	silentblock for TCA	96380613	di:10.3 do:27.5 (*)
6	89032	tie rod end	93741077	c:12.5 th:FM12X1.5R	13	889302	mounting axle body	Part of	di:12 do:70
7	89033	tie rod end	93741091	c:12.5 th:FM12X1.5R					

MUSSO (FJ)

01/1999 ->



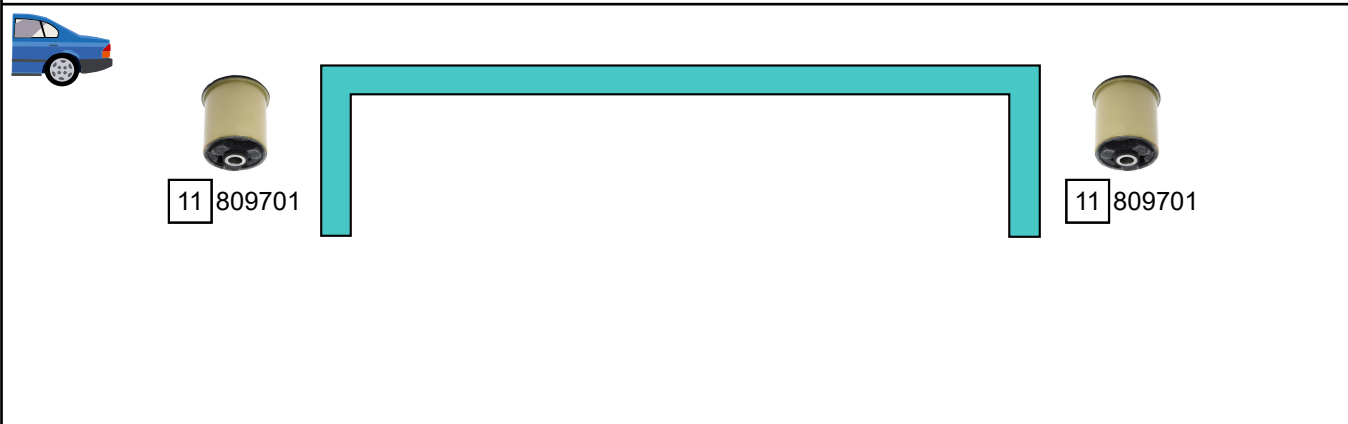
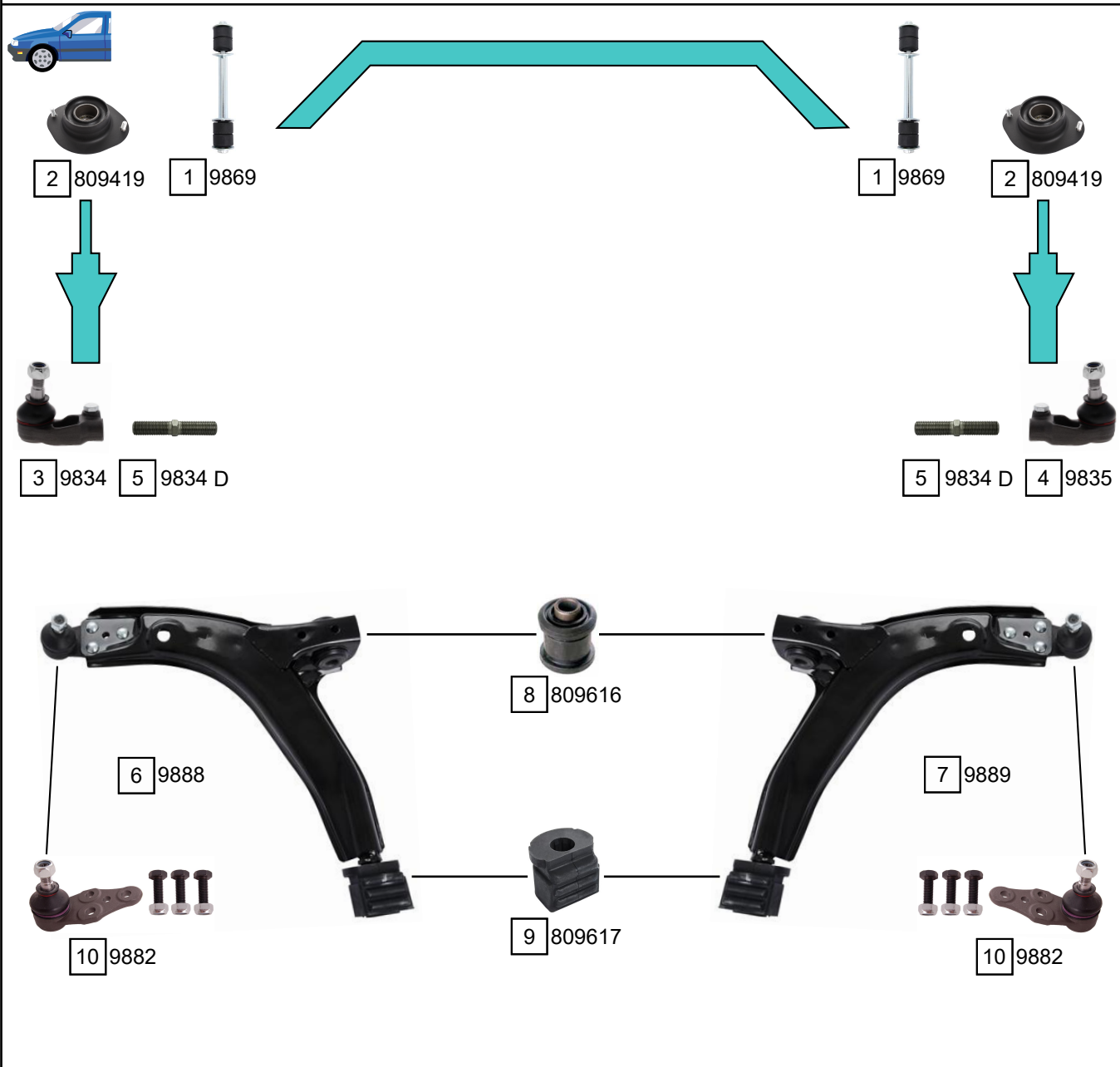
Ref.	Sidem Ref.	Description	OE-number	Measures	Ref.	Sidem Ref.	Description	OE-number	Measures
1	889810	stabiliser mounting	6313230385	di:30	4	89018	axial joint	Part of	th:MM17X1R L:274
2	89062	stabiliser link	4475005001	L:173	5	89084	ball joint	4443003011	c:17.6
3	89034	tie rod end	4666005502	c:16 th:FM14x1.5R	6	89085	ball joint	4450505001	c:17.6

CHEVROLET - DAEWOO

NEXIA - CIELO - RACER

02/1995 - 08/1997

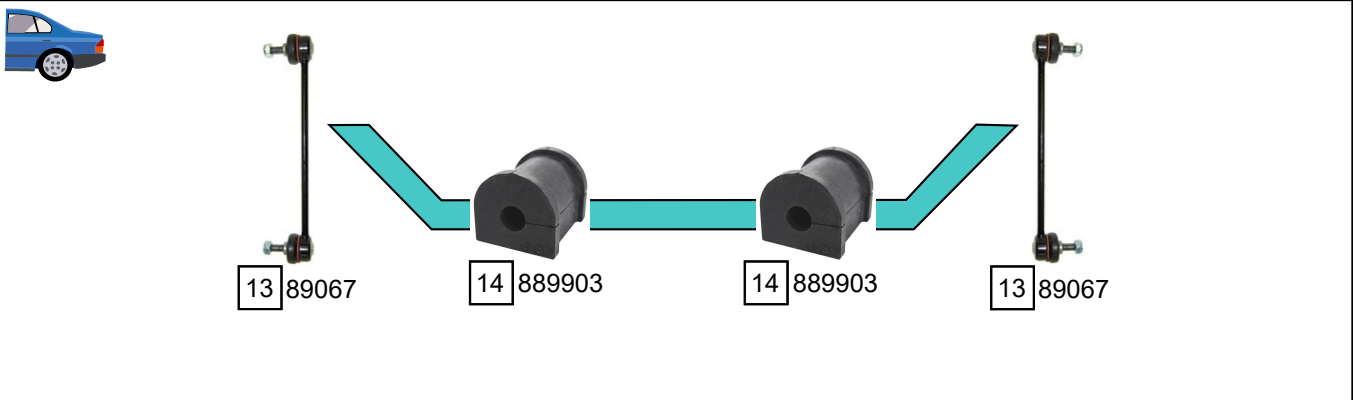
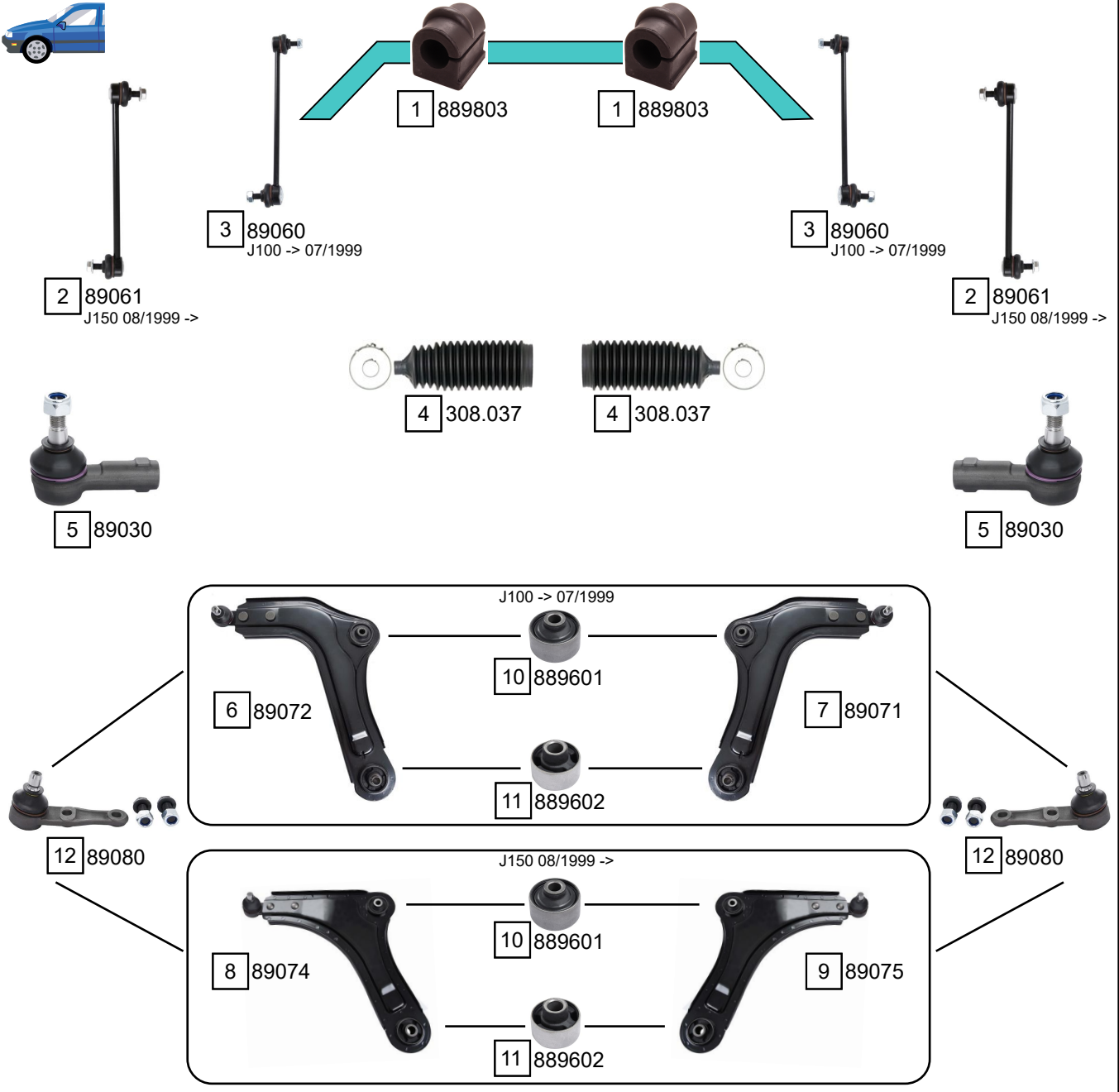
NEXIA (KLETN)
CIELO (KLETN)
RACER



Ref.	Sidem Ref.	Description	OE-number	Measures	Ref.	Sidem Ref.	Description	OE-number	Measures
1	9869	stabiliser link	96129839	L:190	7	9889	TCA right wbj	96218398	c:13.4
2	809419	strut mount	90184755	di:14.2 L:48	8	809616	silentblock for TCA	90193117	di:14.3 do:39.6 (*)
3	9834	tie rod end left	26001807	c:13 th:FM16X1.5R	9	809617	silentblock for TCA	90334546	di:18.9 do:55.4 (*)
4	9835	tie rod end right	26001806	c:13 th:FM16x1.5L	10	9882	ball joint lower	94788122	c:13.4
5	9834 D	adjusting bolt	7846696	L:96	11	809701	mounting axle body	402645	di:12.2 do:59.1
6	9888	TCA left wbj	96218397	c:13.4					

NUBIRA (KLAJ)

04/1997 - 07/2003



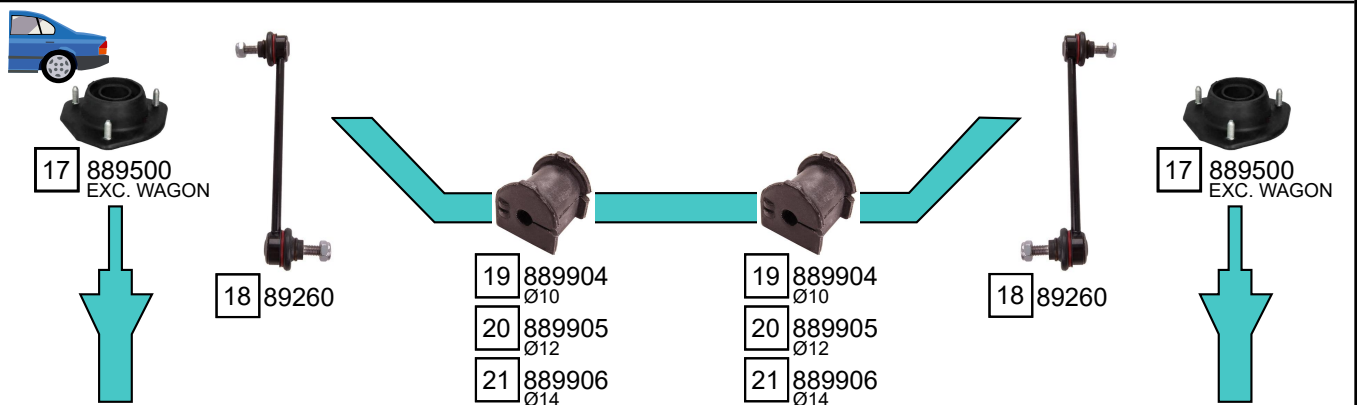
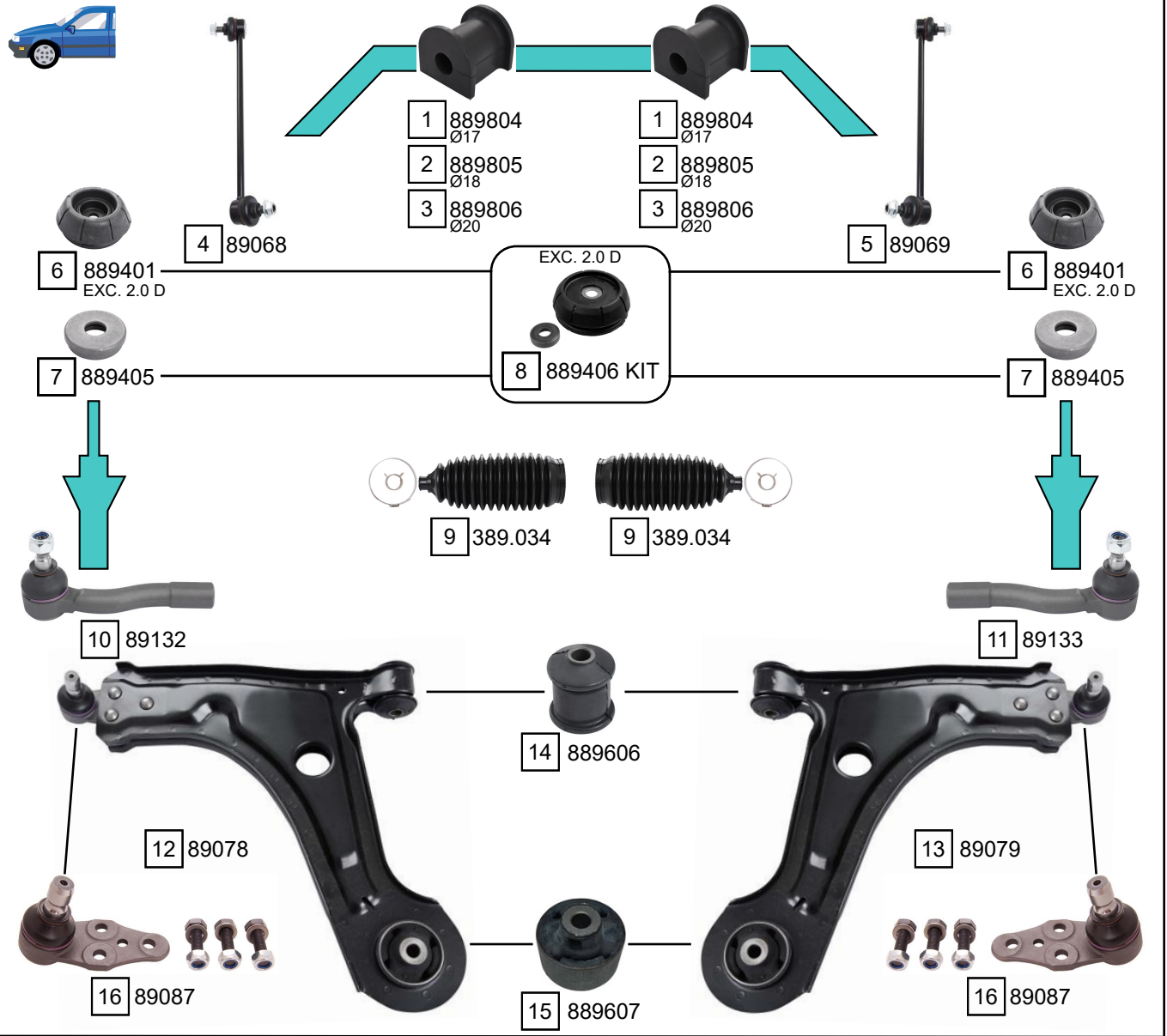
Ref.	Sidem Ref.	Description	OE-number	Measures	Ref.	Sidem Ref.	Description	OE-number	Measures
1	889803	stabiliser mounting	96311832	di:17	8	89074	TCA left wbj	96268454	c:16
2	89061	stabiliser link	96391875	L:260	9	89075	TCA right wbj	96268455	c:16
3	89060	stabiliser link	96300627	L:268	10	889601	silentblock for TCA	Part of	di:12.2 do:49.1 (*)
4	308.037	steering rack gaiter	520738	D:49 d:13 L:166	11	889602	silentblock for TCA	Part of	di:16.1 do:52.5 (*)
5	89030	tie rod end	96205809	c:13.2 th:FM14x1.5R	12	89080	ball joint	96300648	c:16
6	89072	TCA left wbj	96268439	c:16	13	89067	stabiliser link rear axle	96391876	L:246
7	89071	TCA right wbj	96268440	c:16	14	889903	stabiliser mounting	96297804	di:10

CHEVROLET - DAEWOO

NUBIRA

NUBIRA (J200)

07/2003 ->



Ref.	Sidem Ref.	description	OE-number	measures	Ref.	Sidem Ref.	description	OE-number	measures
1	889804	stabiliser mounting	96839848	di:17	12	89078	TCA left wbj	05486006	c:18.2
2	889805	stabiliser mounting	96839849	di:18	13	89079	TCA right wbj	96391851	c:18.2
3	889806	stabiliser mounting	96839850	di:20	14	889606	silentblock for TCA	96378346	di:12.3 do:38 (*)
4	89068	stabiliser link	96403099	L:271	15	889607	silentblock for TCA	96391856	di:12.2 do:60 (*)
5	89069	stabiliser link	96403100	L:271	16	89087	ball joint	96490218	c:18
6	889401	strut mount	96549921	di:15 do:102.5 L:44	17	889500	strut mount	96457360	di:14.5 L:47.5
7	889405	bearing	94535236	di:14.7 do:44.6 L:11.7	18	89260	stabiliser link rear axle	96561754	L:216
8	889406 KIT	strut mount kit	96549921 S1	di:14.7 do:113.4 L:45.5	19	889904	stabiliser mounting	96933805	di:10
9	389.034	steering rack gater	93742552	D:48 di:13 L:173	20	889905	stabiliser mounting	96933806	di:11.5
10	89132	tie rod end left	96407485	c:13.3 th:FM14X1.5R	21	889906	stabiliser mounting	96933804	di:13.5
11	89133	tie rod end right	96407486	c:13.3 th:FM14X1.5R					

ORLANDO (J309)

12/2010 ->

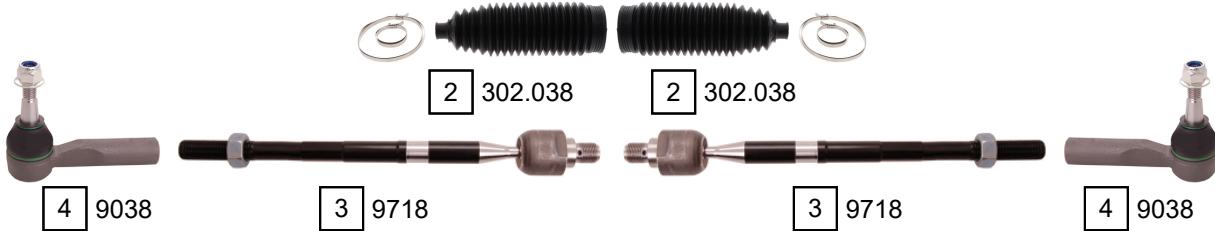


1 9160



1 9160

HYDRO. PS



4 9038

3 9718

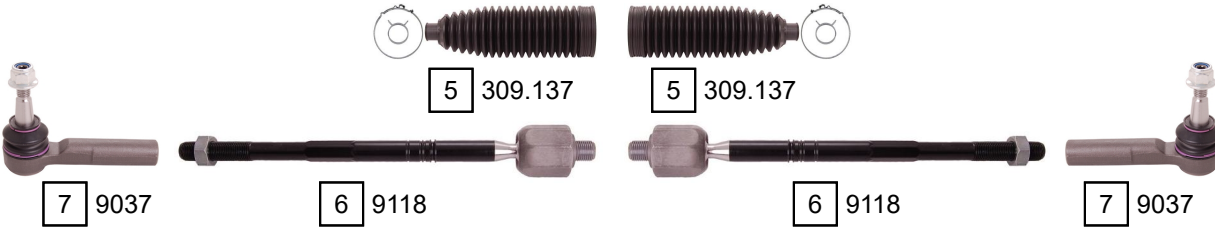
2 302.038

2 302.038

3 9718

4 9038

ELEC. PS



7 9037

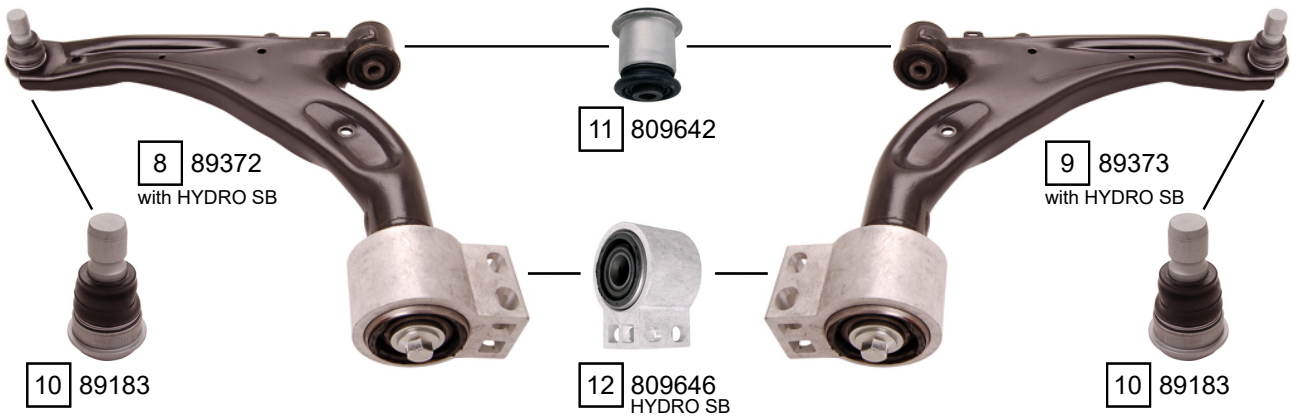
6 9118

5 309.137

5 309.137

6 9118

7 9037



8 89372
with HYDRO SB

11 809642

9 89373
with HYDRO SB

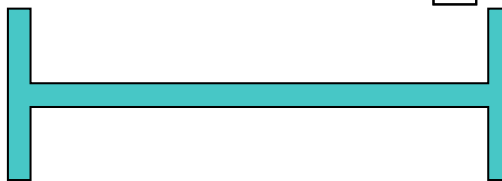
10 89183

12 809646
HYDRO SB

10 89183



13 889300



13 889300

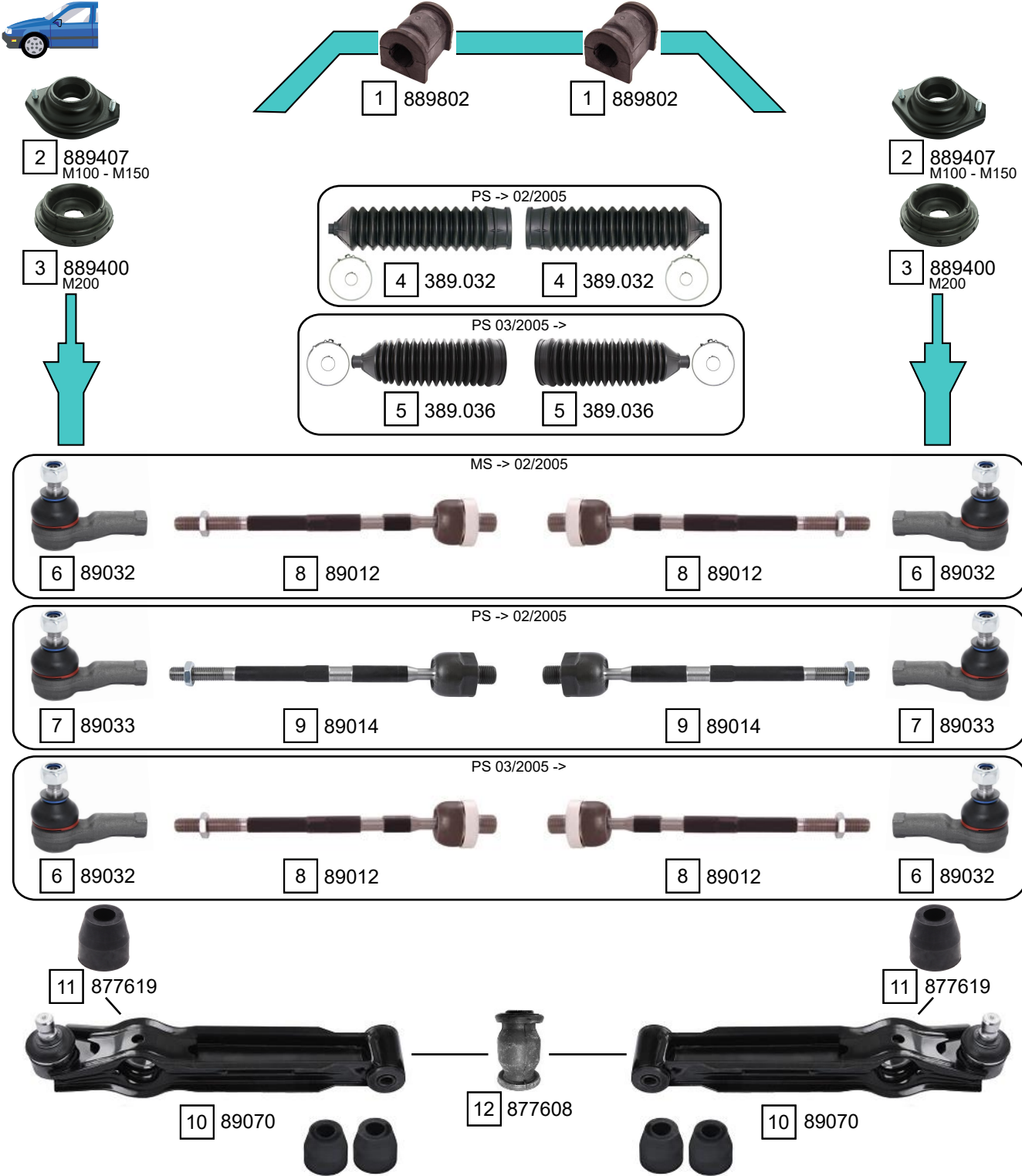
Ref.	Sidem Ref.	Description	OE-number	Measures	Ref.	Sidem Ref.	Description	OE-number	Measures
1	9160	stabiliser link	13219141	L:304	8	89372	TCA left wbj	94544265	c:20
2	302.038	steering rack gaiter	13278357	D:50 d:15 L:186	9	89373	TCA right wbj	94544266	c:20
3	9718	axial joint	13314170	th:MM16X1.5R L:313	10	89183	ball joint	Part of	c:20 do:38
4	9038	tie rod end	13278359	c:13.2 th:FM16x1.5R	11	809642	silentblock for TCA	13219090	di:12.4 do:40.4 (*)
5	309.137	steering rack gaiter	13354440	D:53.5 d:16 L:194	12	809646	silentblock for TCA	13230774	di:22.3 do:65.6 (*)
6	9118	axial joint	13286688	th:MM16X1.5R L:310	13	889300	mounting axle body	13354691	di:12.1 do:68.6
7	9037	tie rod end	13286686	c:13.2 th:FM16x1.5R					

CHEVROLET - DAEWOO

SPARK

SPARK (M100, M150)
SPARK (M200)

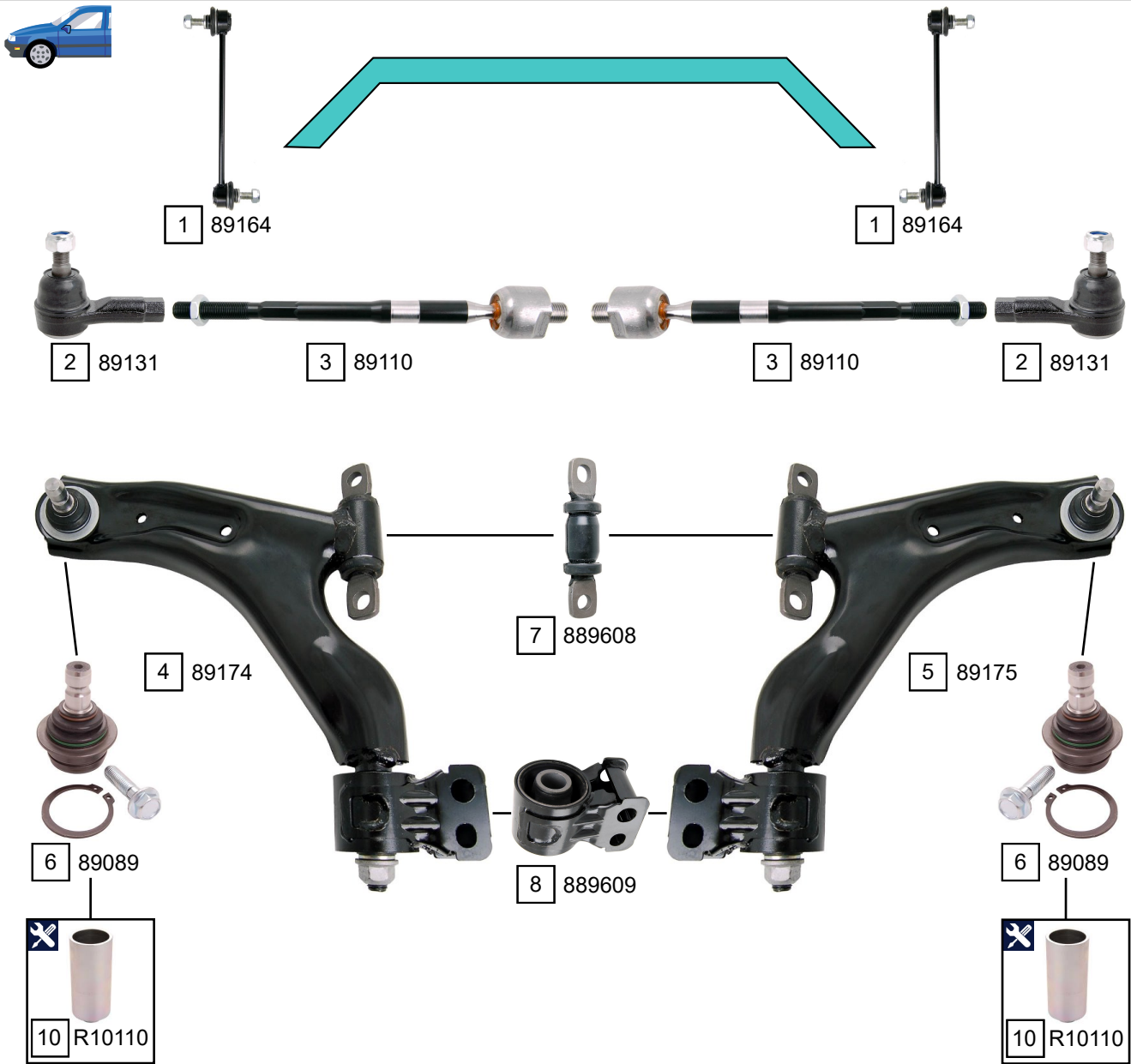
09/1998 - 02/2005
03/2005 ->



Ref.	Sidem Ref.	Description	OE-number	Measures	Ref.	Sidem Ref.	Description	OE-number	Measures
1	889802	stabiliser mounting	96322618	di:22	8	89012	axial joint	93741074	th:MM16X1.5R L:250
2	889407	strut mount	96568585	di:22.2 L:39	9	89014	axial joint	93741092	th:MM16X1.5R L:251
3	889400	strut mount	96535011	di:22.7 do:82.3 L:32.2	10	89070	TCA wbj	96316765	c:15
4	389.032	steering rack gaiter	KRSL18	D:45 d:12 L:212	11	877619	silentblock for TCA	96380586	di:16 do:35.9 (*)
5	389.036	steering rack gaiter	93743483	D:49 d:11.5 L:179	12	877608	silentblock for TCA	96380613	di:10.3 do:27.5 (*)
6	89032	tie rod end	93741077	c:12.5 th:FM12X1.5R	13	889302	mounting axle body	Part of	di:12 do:70
7	89033	tie rod end	93741091	c:12.5 th:FM12X1.5R					

SPARK (M300)

02/2010 ->



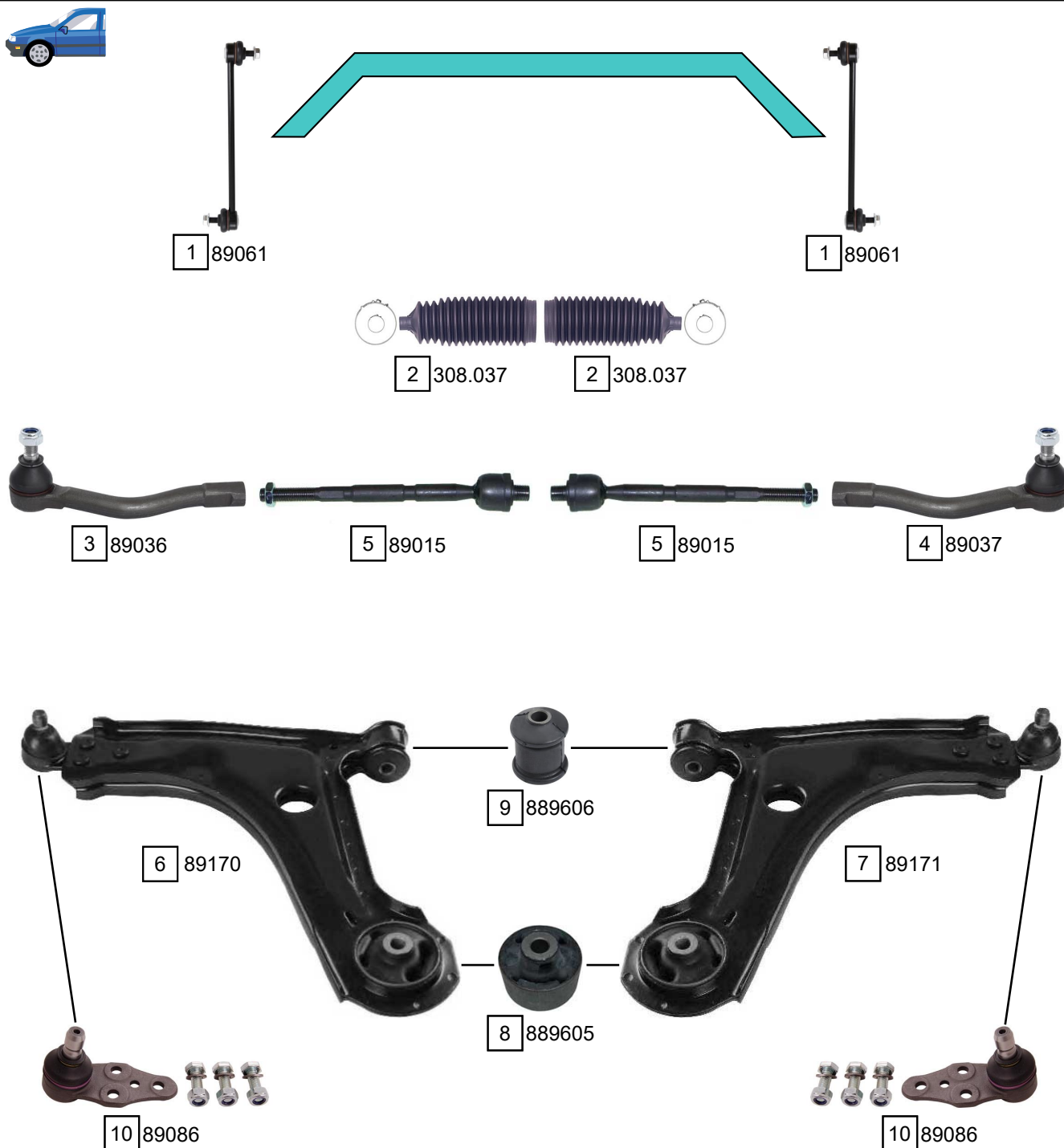
Ref.	Sidem Ref.	Description	OE-number	Measures	Ref.	Sidem Ref.	Description	OE-number	Measures
1	89164	stabiliser link	95947829	L:235	6	89089	ball joint	Part of	c:16 do:42
2	89131	tie rod end	95967285	c:13.2 th:FM12X1.25R	7	889608	silentblock for TCA	Part of	do:31 (*)
3	89110	axial joint	95967294	th:M14X1.5R L:244	8	889609	silentblock for TCA	Part of	di:18.1 do:51 (*)
4	89174	TCA left wbj	95319215	c:16	9	889700	mounting axle body	95020214	di:14 do:69.4
5	89175	TCA right wbj	95952783	c:16	10	R10110	mounting tool ring long ø50	SEE PAGE III	di:42 do:50

CHEVROLET - DAEWOO

TACUMA

TACUMA

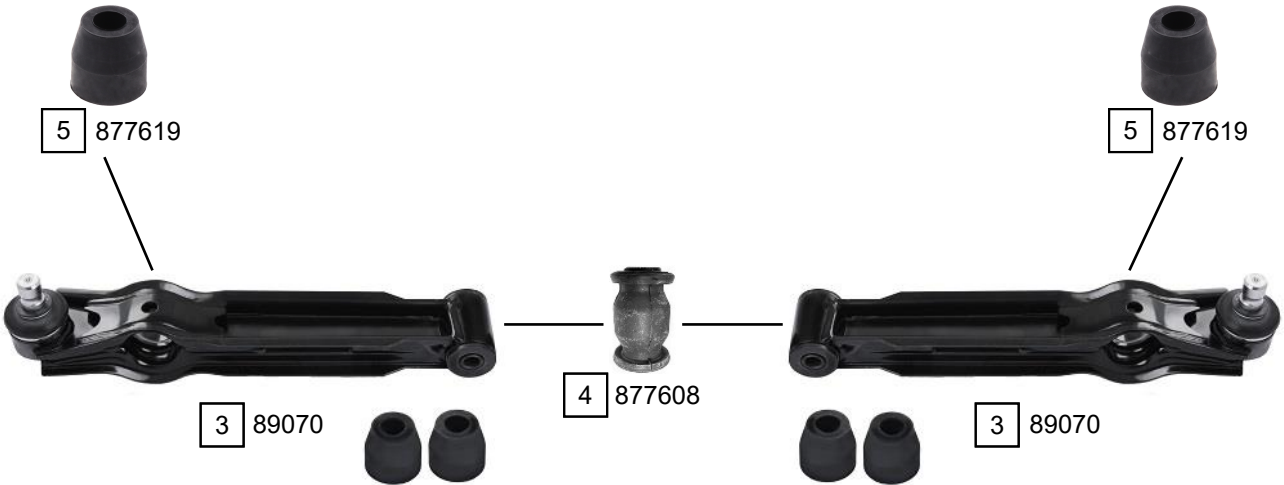
09/2000 - 12/2011



Ref.	Sidem Ref.	Description	OE-number	Measures	Ref.	Sidem Ref.	Description	OE-number	Measures
1	89061	stabiliser link	96391875	L:260	6	89170	TCA left wbj	D96423220	c:16
2	308.037	steering rack gaiter	520738	D:49 d:13 L:166	7	89171	TCA right wbj	D96422324	c:16
3	89036	tie rod end left	96261378	c:13.2 th:FM14X1.5R	8	889605	silentblock for TCA	96431044	di:12.2 do:72 (*)
4	89037	tie rod end right	96261379	c:13.2 th:FM14X1.5R	9	889606	silentblock for TCA	96378346	di:12.3 do:38 (*)
5	89015	axial joint	521564	th:MM16X1.5R L:240	10	89086	ball joint	96261108	c:16

TICO (KLY3)

02/1995 - 12/2000



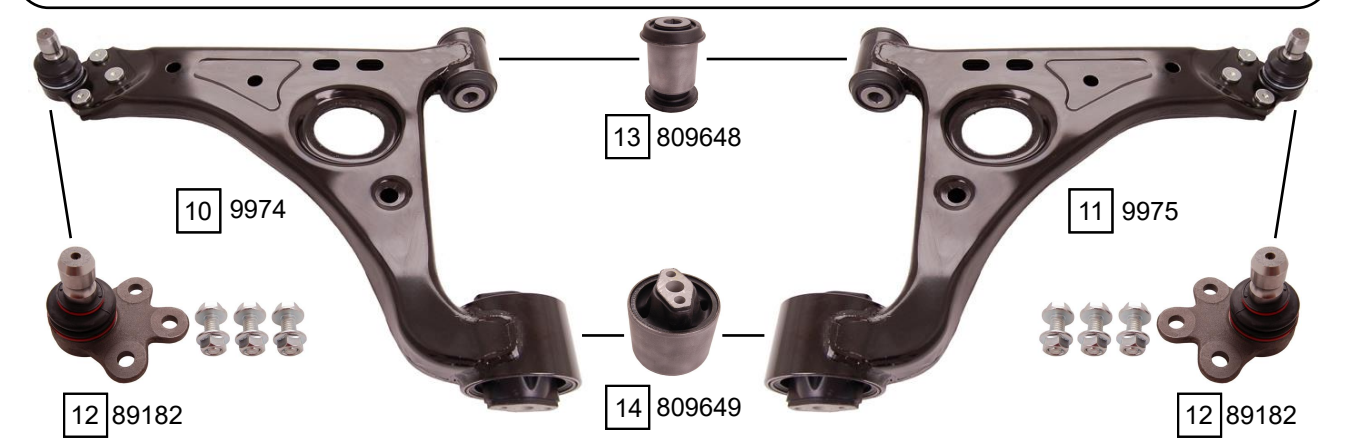
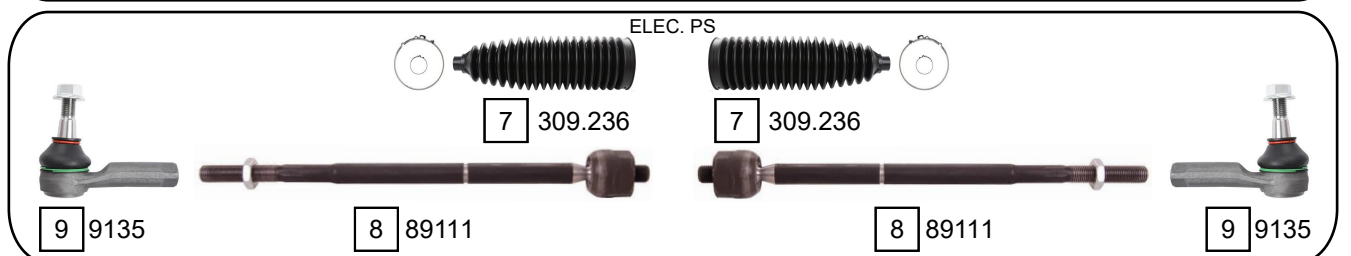
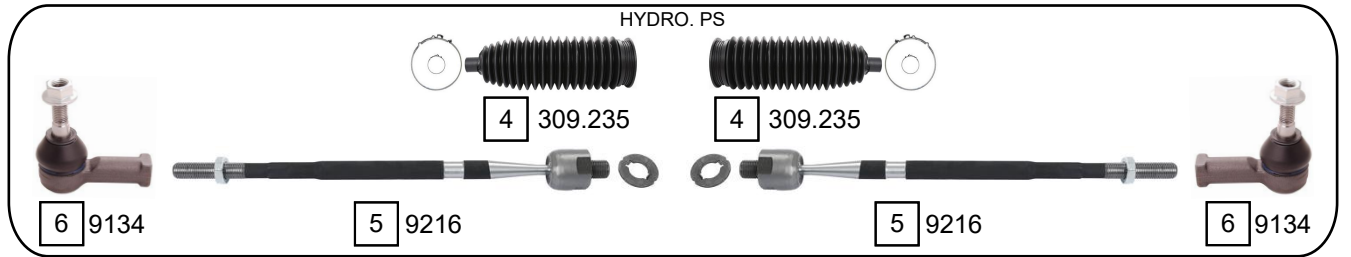
Ref.	Sidem Ref.	Description	OE-number	Measures	Ref.	Sidem Ref.	Description	OE-number	Measures
1	89031	tie rod end	96129753	c:12.6 th:FM12X1.5R	4	877608	silentblock for TCA	96380613	di:10.3 do:27.5 (*)
2	89019	axial joint	48830 A78B00	th:FM14X1.5R L:228	5	877619	silentblock for TCA	96380586	di:16 do:35.9 (*)
3	89070	TCA wbj	96316765	c:15					

CHEVROLET - DAEWOO

TRAX

TRAX

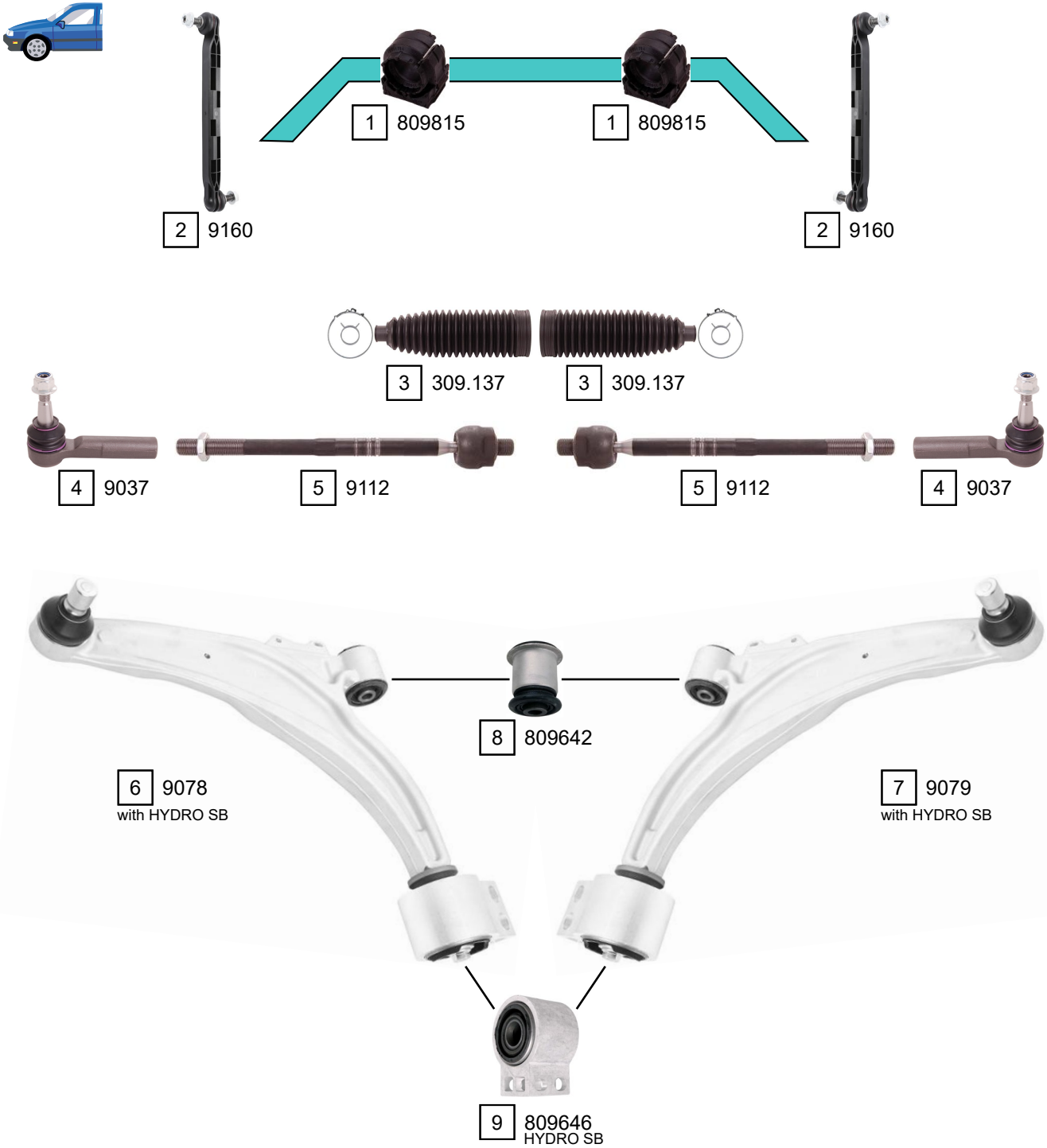
12/2012 ->



Ref.	Sidem Ref.	Description	OE-number	Measures	Ref.	Sidem Ref.	Description	OE-number	Measures
1	9066	stabiliser link left	96626247	L:286	9	9135	tie rod end	95914910	c:13 th:FM14X1.5R
2	9067	stabiliser link right	96626248	L:286	10	9974	TCA left wbj	94540668	c:18.1
3	809402	strut mount	13505131	di:14.3 do:113 L:48.5	11	9975	TCA right wbj	94540669	c:18.1
4	309.235	steering rack gaiter	95218371	D:46.5 d:14 L:185	12	89182	ball joint	95907943	c:18.1
5	9216	axial joint	95932789	th:MM16X1.5R L:350	13	809648	silentblock for TCA	Part of	di:12.1 do:37 (*)
6	9134	tie rod end	95932779	c:12.9 th:FM14X1.5R	14	809649	silentblock for TCA	Part of	di:12.1 do:64 (*)
7	309.236	steering rack gaiter	95952928	D:54.5 d:13.5 L:206	15	809500	strut mount	13252362	di:10.2 L:48
8	89111	axial joint	95952929	th:MM14X1.5R L:334					

VOLT

04/2011 ->



Ref.	Sidem Ref.	Description	OE-number	Measures	Ref.	Sidem Ref.	Description	OE-number	Measures
1	809815	stabiliser mounting	Part of	di:26	6	9078	TCA left wbj	13272605	c:20
2	9160	stabiliser link	13219141	L:304	7	9079	TCA right wbj	13272606	c:20
3	309.137	steering rack gaiter	13354440	D:53.5 d:16 L:194	8	809642	silentblock for TCA	13219090	di:12.4 do:40.4 (*)
4	9037	tie rod end	13286686	c:13.2 th:FM16x1.5R	9	809646	silentblock for TCA	13230774	di:22.3 do:65.6 (*)
5	9112	axial joint	13286687	th:MM16x1.5R L:291					